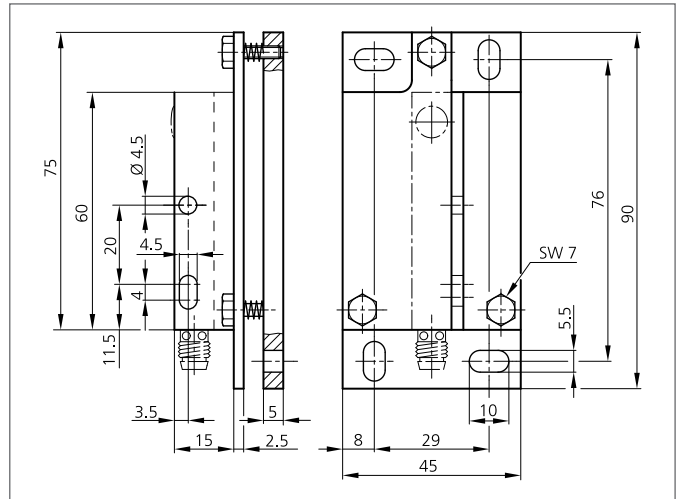
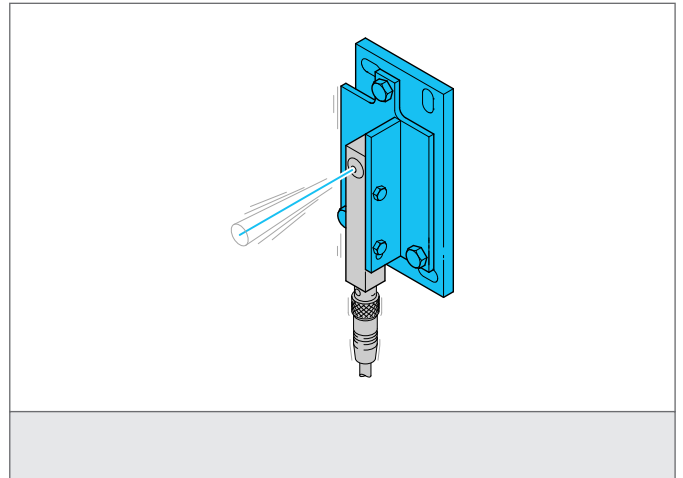


TP1-Q90

Swash plates

- For laser through beam sensors and retroreflective sensors
- Exact alignment by disk springs
- Robust design



TECHNICAL INFORMATION (typ.)

Characteristics	Adjustable
Suitable for	Sensor size OLS Q10 ... / OLS Q15 ... / LHT 41 ... / LRT 41 ...
Casing material	Aluminium