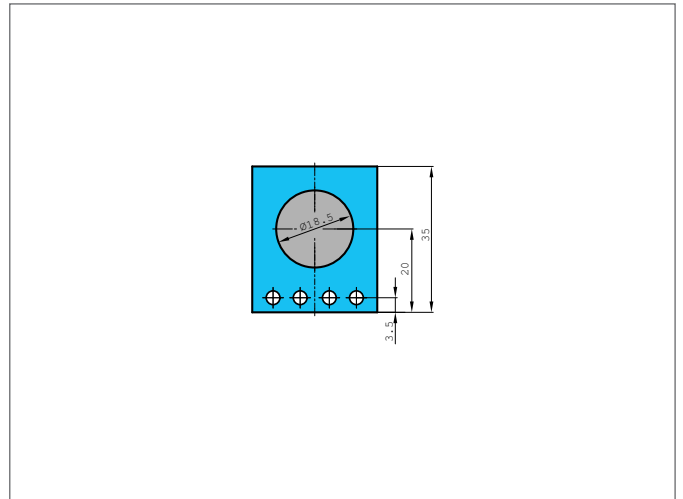
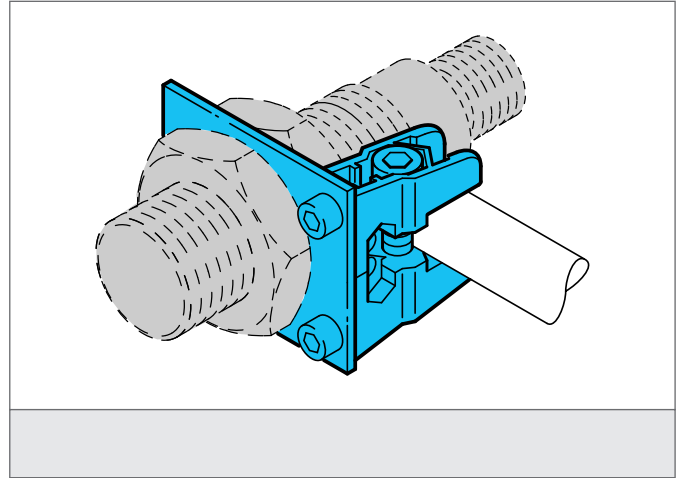


# SHB-M18

## Sensor Holder

- Set includes adapter plate and ball joint
- Universal mounting possibility
- Smooth adjustment
- For a quick and easy fix and mounting of sensors
- Central ball joint adjustment
- Stainless steel / steel galvanized



### TECHNICAL INFORMATION (typ.)

|                 |                                      |
|-----------------|--------------------------------------|
| Mounting        | Screw mounting M6 x 10               |
| Suitable for    | Cylindrically designed casings 18 mm |
| Casing material | Steel galvanized                     |