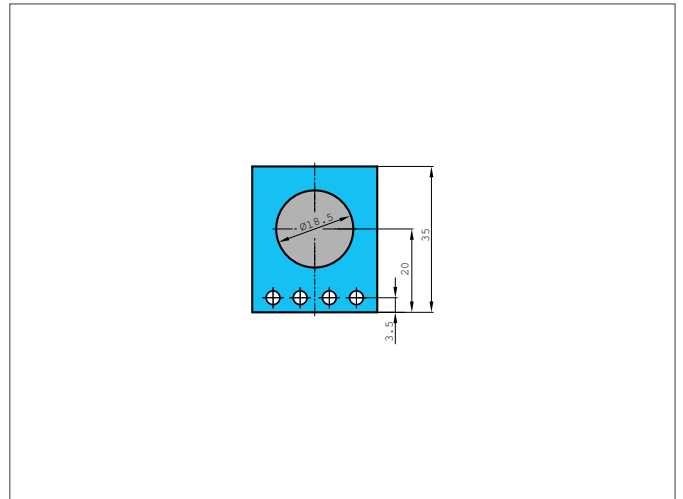
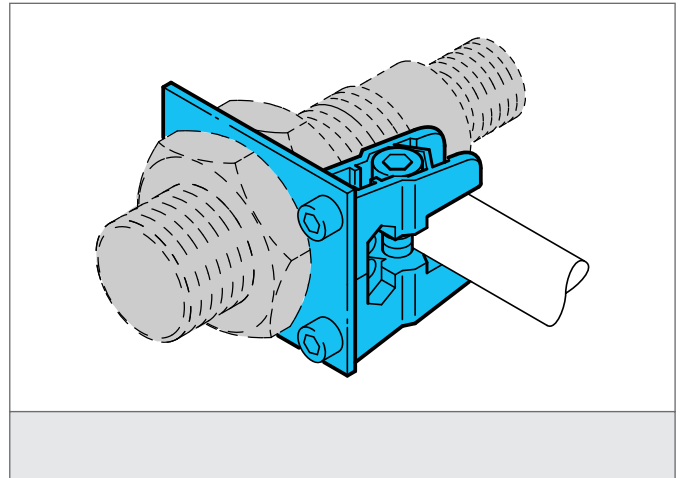


SHB-M18

Sensor Holder

- Set includes adapter plate and ball joint
- Universal mounting possibility
- Smooth adjustment
- For a quick and easy fix and mounting of sensors
- Central ball joint adjustment
- Stainless steel / steel galvanized



TECHNICAL INFORMATION (typ.)

Mounting	Screw mounting M6 x 10
Suitable for	Cylindrically designed casings 18 mm
Casing material	Steel galvanized