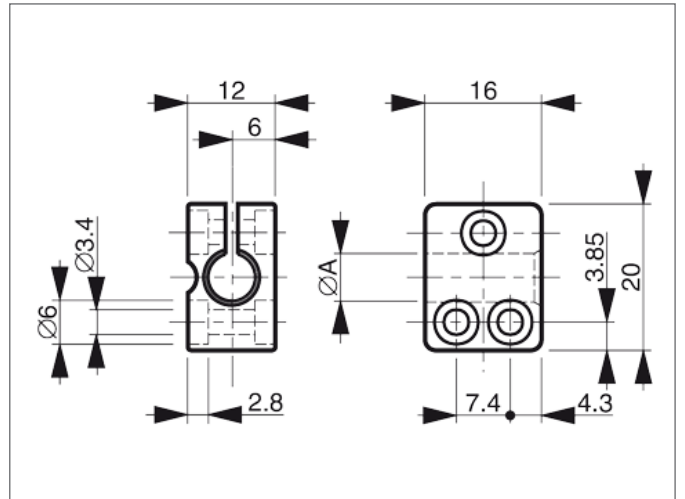


SH 8 Sensor Holder

- For cylindrical Sensors of \varnothing 8 mm or thread M8
- Simple installation
- Reduced mounting/downtimes thanks to one-piece construction
- Sensor exchange without changing the clamp position
- Oblong holes permit clamp adjustment



TECHNICAL INFORMATION (typ.)

Size	+20°C, 24V DC 8,0 mm (Clamping diameter A)
Characteristics	without limit stop
Casing material	plastics (polyamide - PA 6 GK)