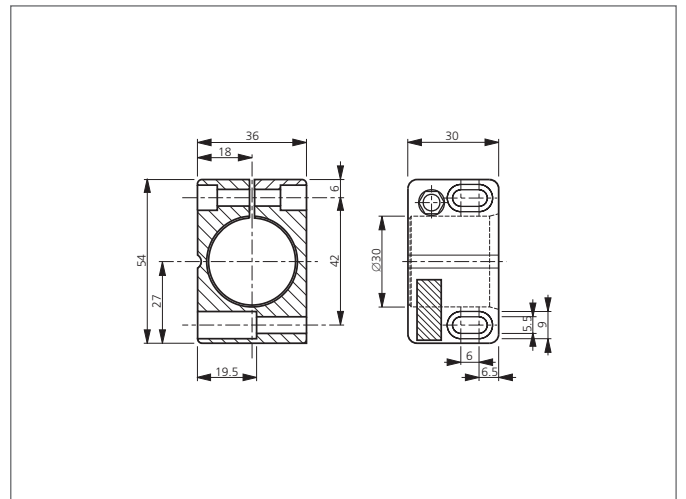
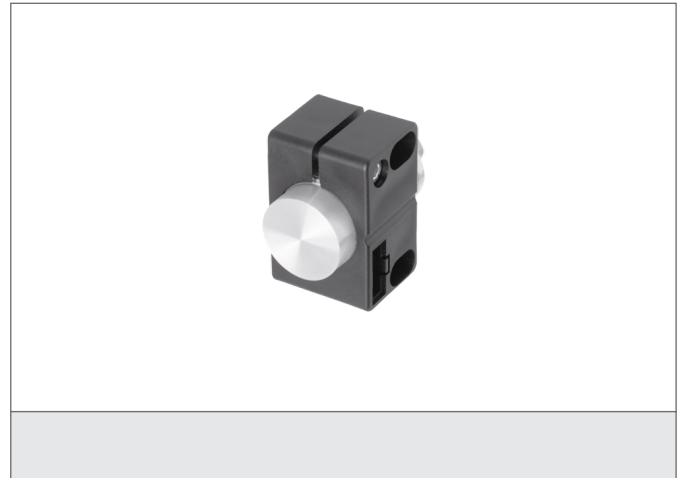


SH 30 A Sensor Holder

- For cylindrical Sensors of \varnothing 30 mm or thread M30
- Simple installation
- Reduced mounting/downtimes thanks to one-piece construction
- Sensor exchange without changing the clamp position
- Limit stop for sensor exchange without readjustment
- Oblong holes permit clamp adjustment



TECHNICAL INFORMATION (typ.)

+20°C, 24V DC

Hole spacing

42 mm

Size

36 x 30 x 54 mm (Dimensions)
30 mm (Clamping diameter G)

Characteristics

with limit stop

Casing material

plastics (polyamide - PA 6 GK)