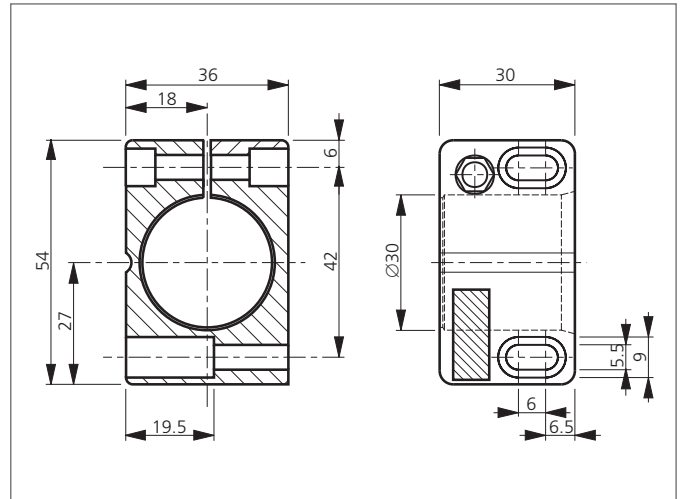


SH 30 Sensor Holder

- For cylindrical Sensors of \varnothing 30 mm or thread M30
- Simple installation
- Reduced mounting/downtimes thanks to one-piece construction
- Sensor exchange without changing the clamp position
- Oblong holes permit clamp adjustment



TECHNICAL INFORMATION (typ.)

Hole spacing	42 mm
Size	36 x 30 x 54 mm (Dimensions) 30 mm (Clamping diameter G)
Characteristics	without limit stop
Casing material	plastics (polyamide - PA 6 GK)

+20°C, 24V DC