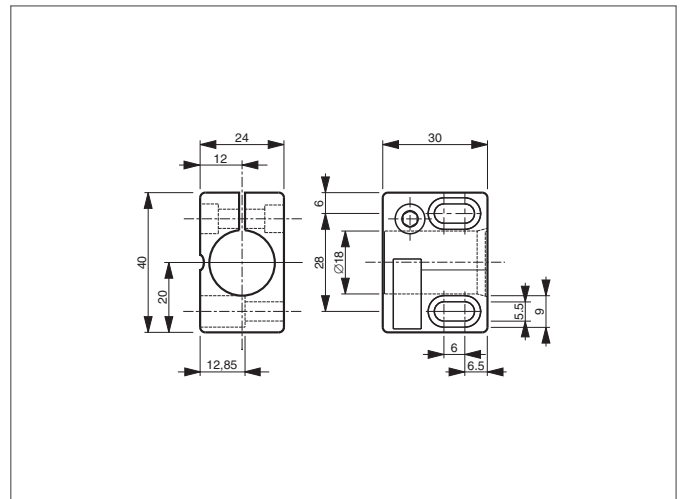
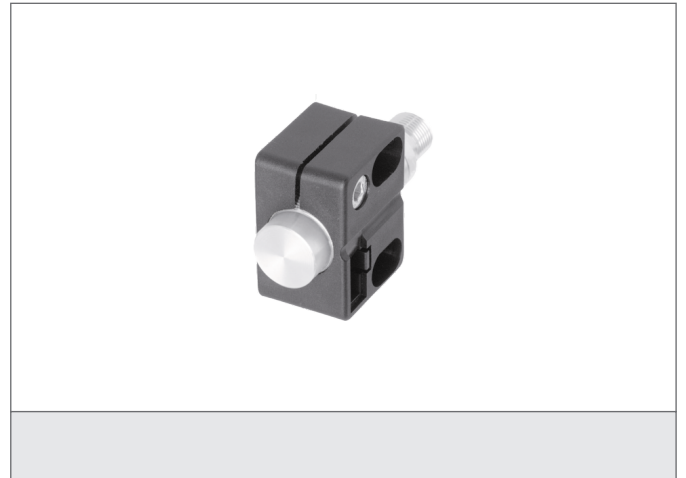


## SH 18 A Sensor Holder

- For cylindrical Sensors of  $\varnothing$  18 mm or thread M18
- Simple installation
- Reduced mounting/downtimes thanks to one-piece construction
- Sensor exchange without changing the clamp position
- Limit stop for sensor exchange without readjustment
- Oblong holes permit clamp adjustment



### TECHNICAL INFORMATION (typ.)

**+20°C, 24V DC**

Hole spacing

28 mm

Size

24 x 30 x 40 mm (Dimensions)  
18 mm (Clamping diameter G)

Characteristics

with limit stop

Casing material

plastics (polyamide - PA 6 GK)