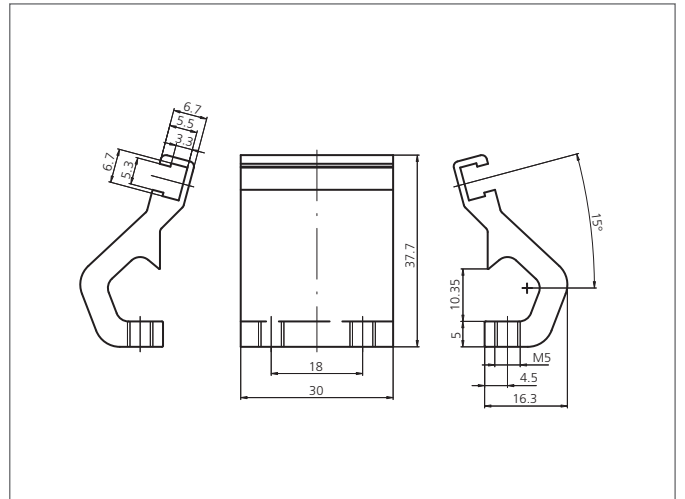
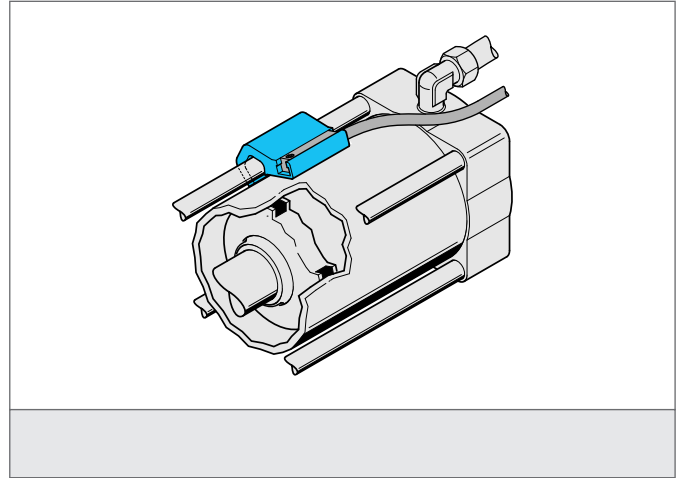


MZ-K-10/6.5 Sensor bracket

- Reliable mounting of cylinder sensors at pull-rod cylinders
- High locking power
- Robust metal casing
- For a quick and easy fix and mounting of sensors



TECHNICAL INFORMATION (typ.)

Mounting	at pull-rod cylinders
Suitable for	Cylinder sensores with T-Slot
Casing material	Aluminium
Application	Piston Ø 80-100 mm
Scope of delivery	Fixing material