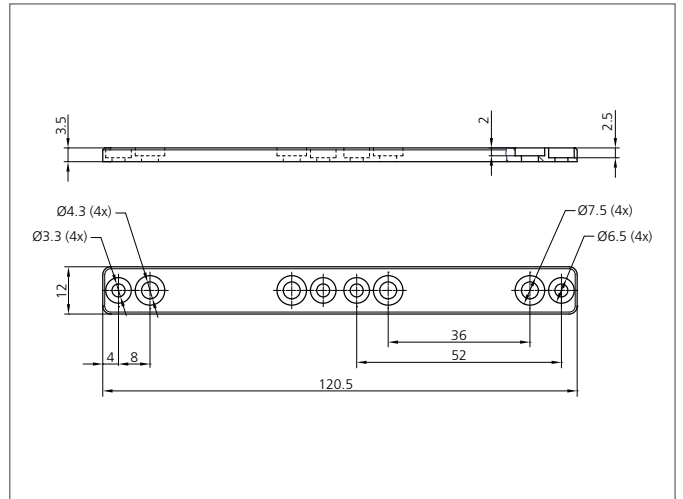
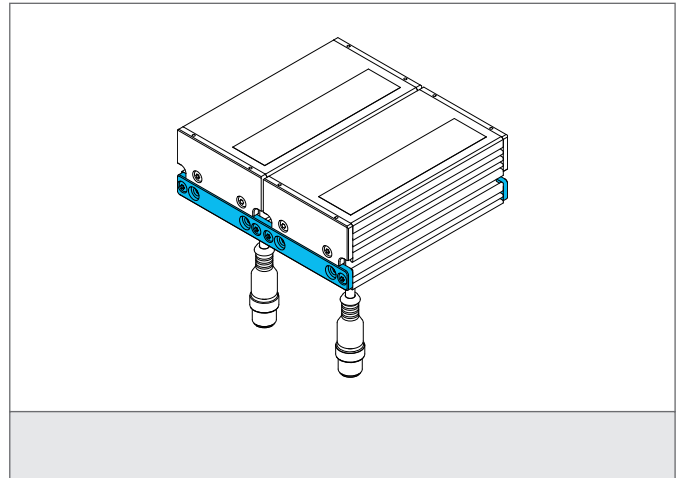


BEK-A-MOUNTINGSET

Mounting set

- Traverse to the cascade of two barlights



TECHNICAL INFORMATION (typ.)

Characteristics	Set consists of two crossbars including mounting accessories
Suitable for	Bar lights BE-A100..., Bar lights BE-A300..., Bar lights BEK-A100..., Bar lights BEK-A300...
Casing material	Aluminium black anodized