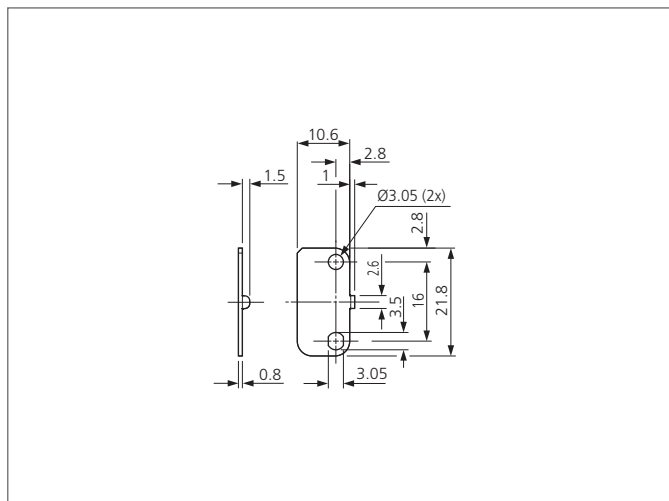
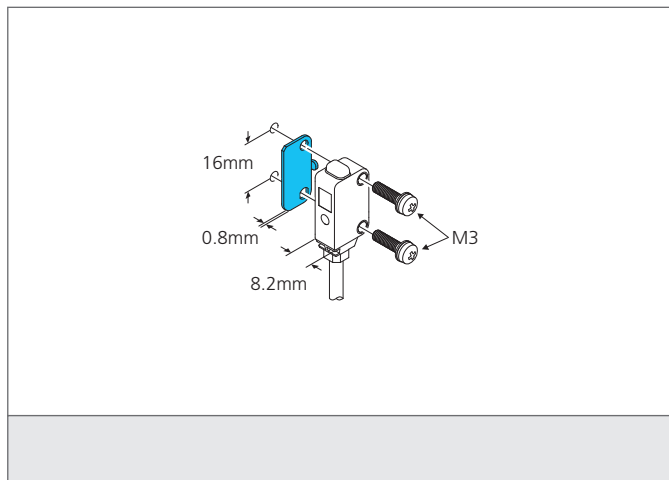


MP 22

Mounting plate

- Robust design



TECHNICAL INFORMATION (typ.)

Hole spacing	16 mm
Mounting hole	Ø 3,2 mm
Casing material	stainless steel V2A (1.4301 / AISI 304)