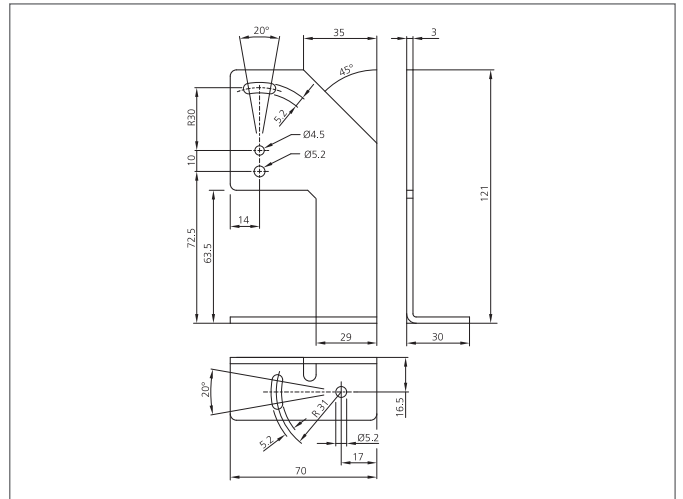


BW-LHT 9-45 Mounting Bracket

- Adjustable
- Robust design



TECHNICAL INFORMATION (typ.)

Casing material

+20°C, 24V DC

stainless steel V4A, (1.4404 / AISI 316L - 1.4571 / AISI 316Ti)