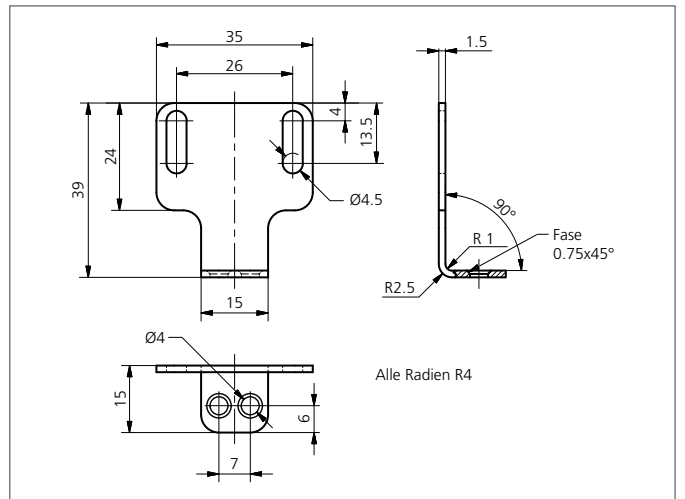
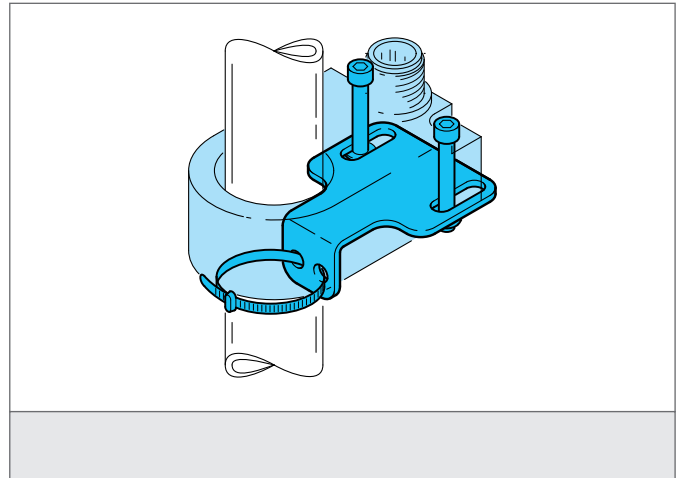


BW-IR01 Mounting Bracket

- For inductive ring sensors
- Adjustable
- Robust design
- Easy-to-install
- Mounting materials included in scope of delivery



TECHNICAL INFORMATION (typ.)

Hole spacing	26 mm
Mounting hole	Ø 4,5 mm
Suitable for	IR 6 ... – IR 25 ..., IRD 6 ... – IRD 25 ...
Casing material	Aluminium