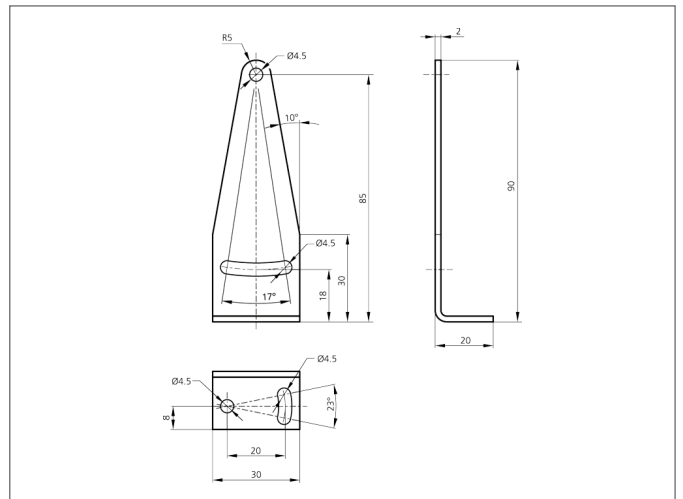


BW LHT 81 Mounting Bracket

- Adjustable
- Robust design



TECHNICAL INFORMATION (typ.)

Hole spacing	67 mm
Mounting hole	Ø 4,5 mm
Casing material	metal