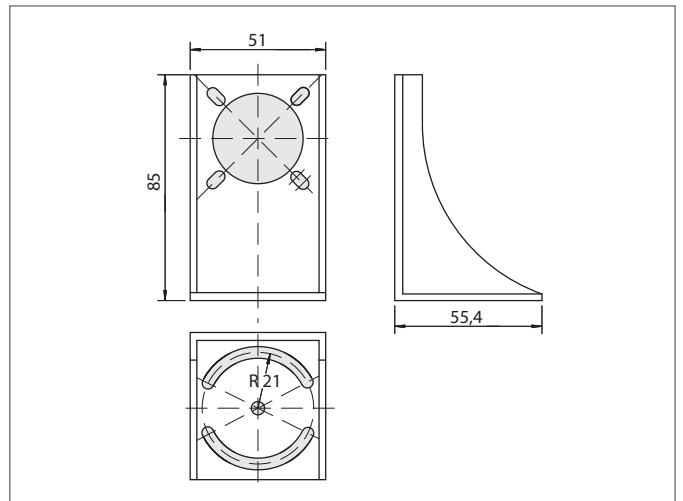
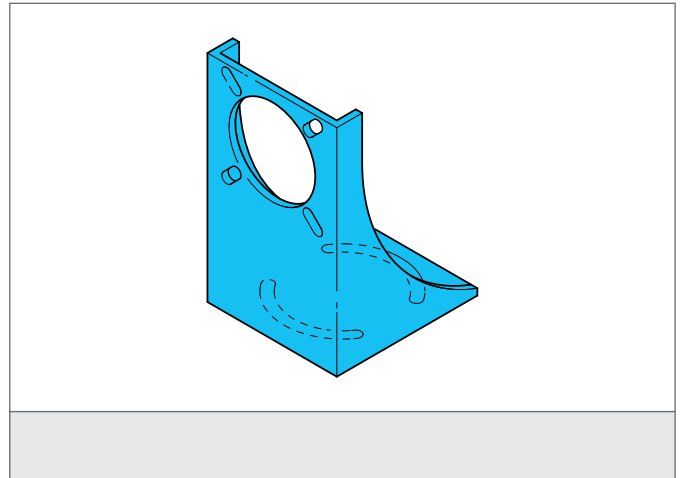


BW 3 Mounting bracket

- Robust casing



TECHNICAL INFORMATION (typ.)

Suitable for Ultrasonic sensors US 60 ...
Casing material plastics

Blank area for technical specifications or notes.