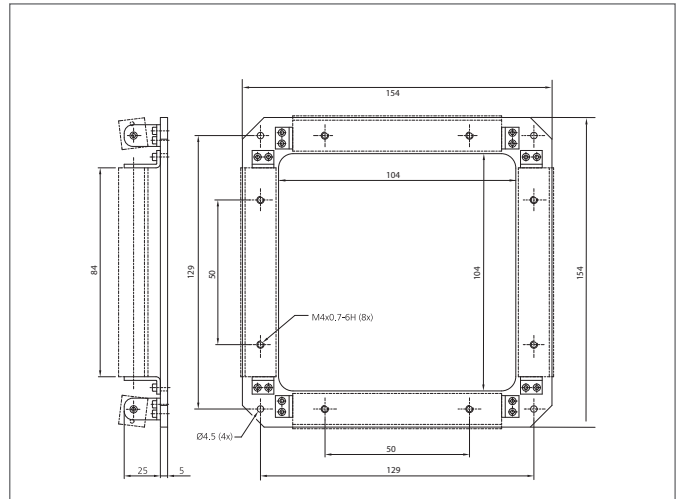
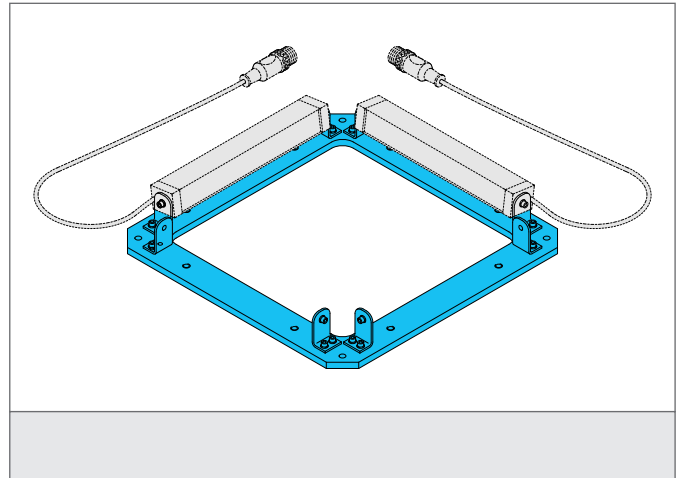


BE 1-A65-Frameset Mounting Frame



- Smooth adjustment
- Robust metal casing



TECHNICAL INFORMATION (typ.)

+20°C, 24V DC

Casing material

Aluminium black anodized

Blank area for technical specifications or notes.