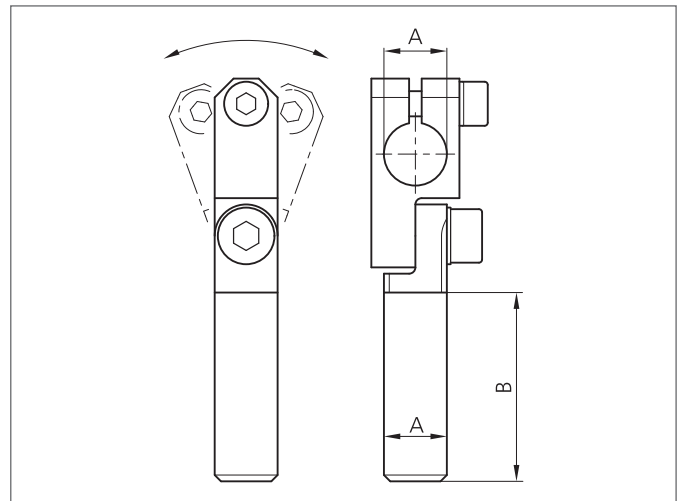
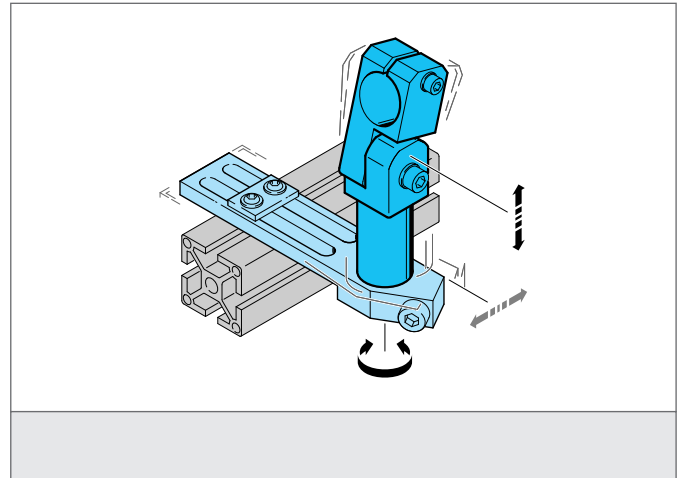


# SH-GLA-14-14-120

## Articulated arm



- Highly flexible versatile mounting system
- All-purpose mounting
- Smooth adjustment
- Robust design



### TECHNICAL INFORMATION (typ.)

Size	14 mm (Diameter A) 120 mm (Spacer measure B)
Characteristics	Adjustable
Suitable for	Clamping pin 14 mm
Casing material	metal
Product series	System holder SH