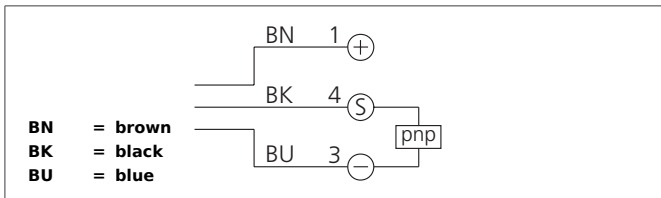
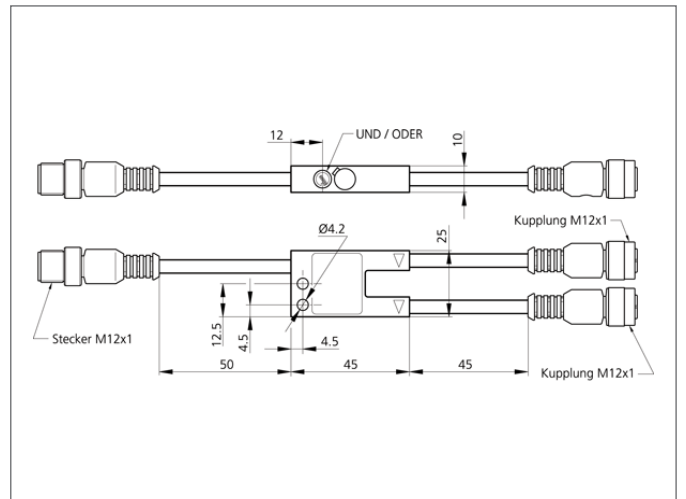


- 适用于所有标准的传感器
- 切换功能：AND/OR切换
- 紧凑的结构
- 可简单快速地实行其他功能
- 耐高温
- 高防护等级



Safety instructions

The Instruments are not to be used for safety applications, in particular applications in which safety of persons depends on proper operation of the instruments. These instruments shall exclusively be used by qualified personnel.



TECHNICAL INFORMATION (typ.)		+20°C, 24V DC
工作电压		10 ... 35 V DC
内部功耗		14 mA
开关输出		pnp, 200 mA, And/OR
环境温度		-25 +70 ° C
防护等级		IP 67
外壳材料		Die-cast zinc black lacquered finish
连接		Connector, M12, 3-poled
Connection 2		Coupling, M12, 3-poled