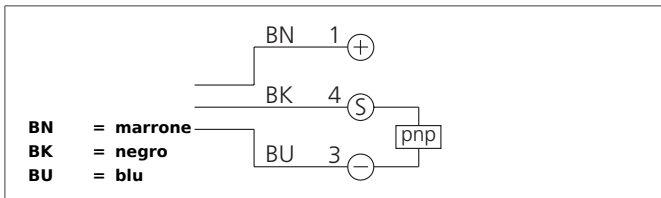


## AV2-UND/ODER-PS-IBS Connection Distributor

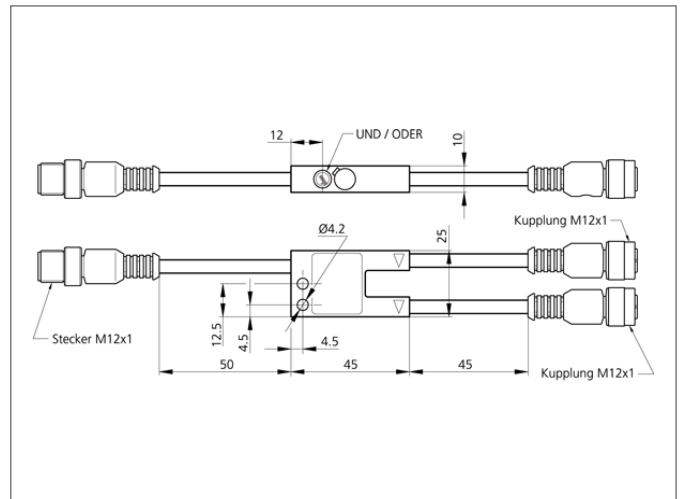
- Suitable for all kind of standard sensors
- Switching function AND/OR switchable
- Compact construction
- Simple and fast implementation of other functions
- High temperature resistance
- High protection class



### Safety instructions

The Instruments are not to be used for safety applications, in particular applications in which safety of persons depends on proper operation of the instruments.

These instruments shall exclusively be used by qualified personnel.



TECHNICAL INFORMATION (typ.)		+20°C, 24V DC
Service voltage		10 ... 35 V DC
No-load current		14 mA
Switching output		pnp, 200 mA, And/OR
Ambient temperature, operation		-25 ... +70 °C
Protection class		IP 67
Casing material		Die-cast zinc black lacquered finish
Connection		Connector, M12, 3-poled
Connection 2		Coupling, M12, 3-poled