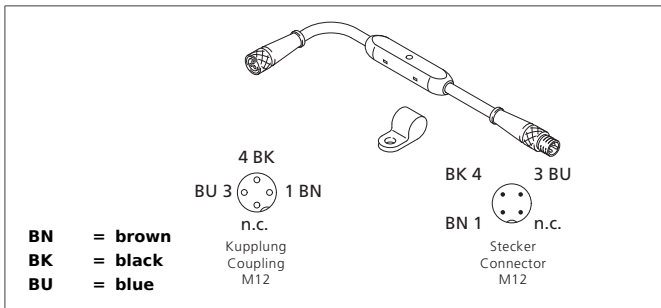
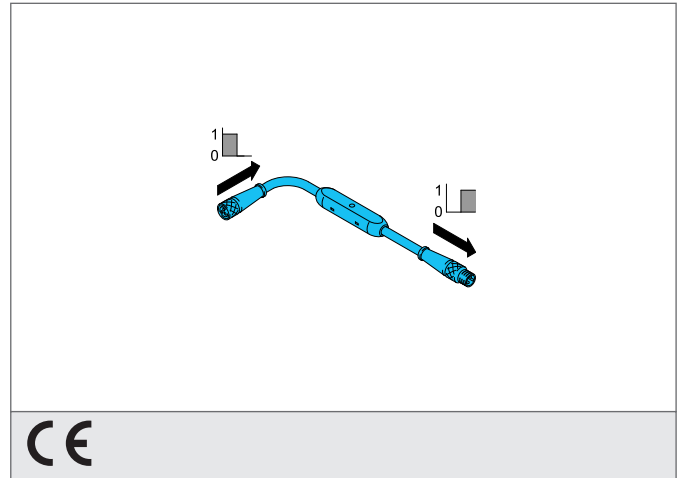
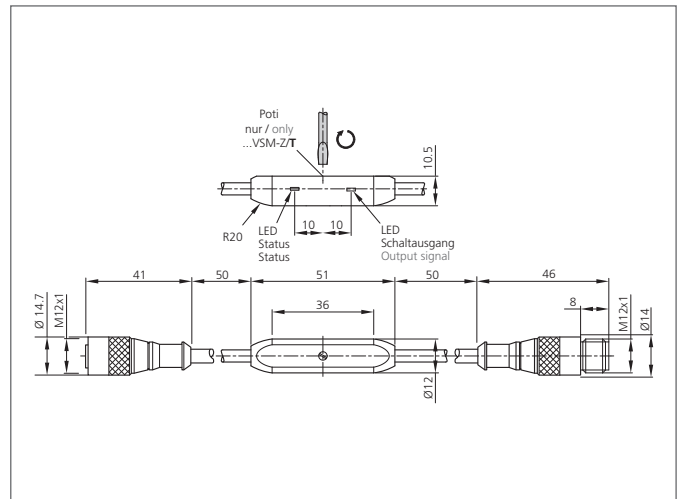


- 适用于所有标准的传感器
- 紧凑的结构
- 可简单快速地实行其他功能
- 耐高温
- 状态和输出信号LED指示灯



**Safety instructions**

The Instruments are not to be used for safety applications, in particular applications in which safety of persons depends on proper operation of the instruments. These instruments shall exclusively be used by qualified personnel.



TECHNICAL INFORMATION (typ.)		+20 °C, 24V DC
操作原理		pnp signal inversion
尺寸		M12 x 1 (thread)
最大额定值		200 mA, short-circuit-proof
工作电压		10 ... 35 V DC
内部功耗		< 20 mA
输入		pnp
开关输出		pnp
工作频率		3500 Hz
环境温度		-20 +70 ° C
防护等级		IP 67
防护等级		III,在保护性低电压下工作
为了		d
外壳材料		plastics
连接		Connector, M12, 3-poled
Connection 2		Socket, M12, 3-poled