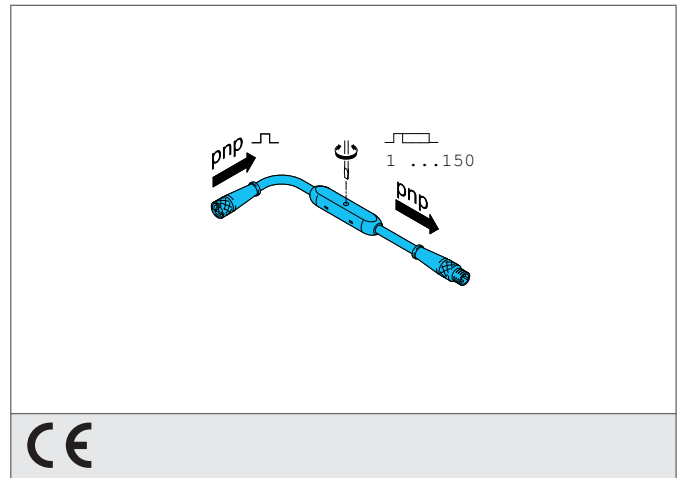


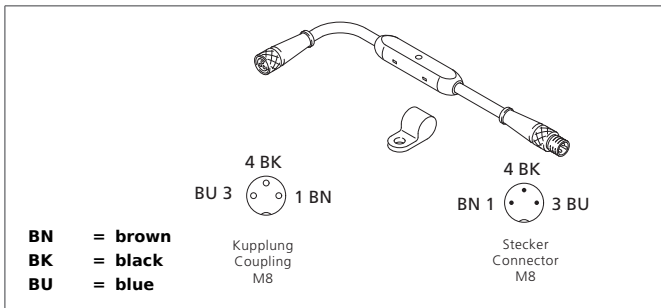
# TKHM-Z/TSM-Z/T

## Multifunctional Adapter

- Suitable for all kind of standard sensors
- Compact construction
- Simple and fast implementation of other functions
- High temperature resistance
- LED indication of status and output signal



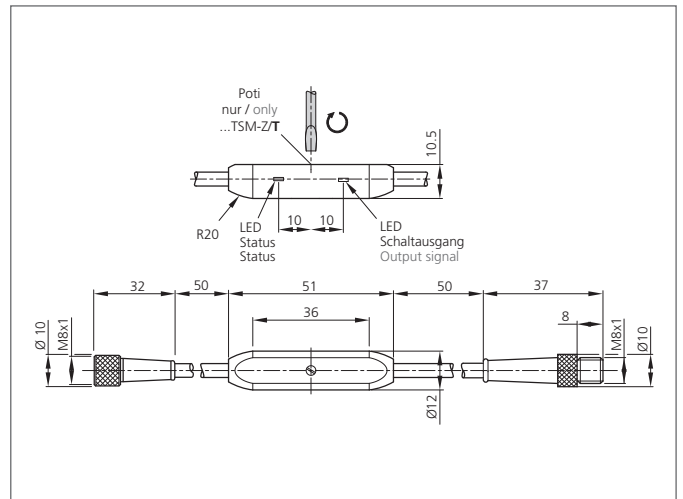
CE



### Safety instructions

The Instruments are not to be used for safety applications, in particular applications in which safety of persons depends on proper operation of the instruments.

These instruments shall exclusively be used by qualified personnel.



TECHNICAL INFORMATION (typ.)		+20°C, 24V DC
Operating principle		pnp pulse stretching
Size		M8 x 1 (thread)
Characteristics		metal coupling ring
Maximum rating		200 mA, short-circuit-proof
Service voltage		10 ... 35 V DC
No-load current		< 20 mA
Function selection		pnp
Switching output		pnp, 1 ... 150 ms
Switching frequency		500 Hz
Ambient temperature, operation		-20 ... +70 °C
Protection class		IP 67
Protection degree		III, operation on protective low voltage
Suitable for		d
Casing material		plastics
Connection		Connector, M8, 3-poled
Connection 2		Socket, M8, 3-poled