

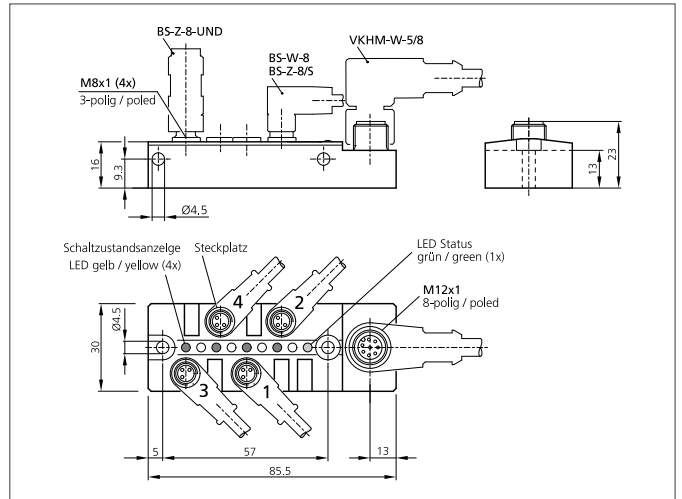
AV4-UND/ODER

Connection Distributor

- Integrated switching function with quadruple AND/OR logic
- 4 M8/3-pin sensor inputs
- 1 M12/8-pole output
- 4 LEDs for easy status display
- Robust casing, IP 67 protection class



	ANSCHLUSSSCHEMA siehe DOKUMENTE → Beipackzettel S. 2
	CONNECTION DIAGRAM see DOCUMENTS → Instruction leaflet p. 2
	SCHÉMA DE CONNEXION voir DOCUMENTS → Notice d'utilisation p. 2



Safety instructions

The Instruments are not to be used for safety applications, in particular applications in which safety of persons depends on proper operation of the instruments.
These instruments shall exclusively be used by qualified personnel.

TECHNICAL INFORMATION (typ.)	+20°C, 24V DC
Maximum rating	ever 300 mA / Logic kontakt (AND/OR)
Service voltage	10 ... 30 V DC
Switching output	pnp (4x), pnp-OR 1x, pnp-AND 1x
Display	LED yellow (Switching status), LED: green - Operation
Ambient temperature, operation	-30 ... +80 °C
Protection class	IP 67, (at tightening torque 0,4 Nm)
Casing material	plastics FPM (Viton)
Connection	Connector, M12 x 1