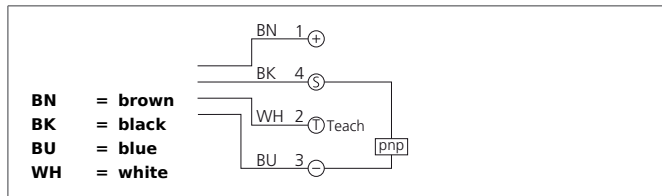


# UST 18 M 1500 P3-B4

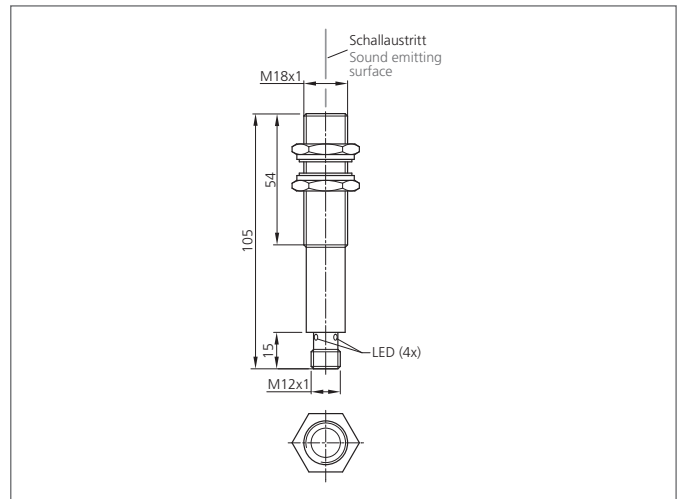
## Ultrasonic sensor

- As a ultrasonic sensor or -barrier configurable
- Scanning range adjustable
- Insensitive to dirt
- Insensitive to ambient noise
- Scanning does not depend on surface
- High resolution



### Safety instructions

The Instruments are not to be used for safety applications, in particular applications in which safety of persons depends on proper operation of the instruments.  
 These instruments shall exclusively be used by qualified personnel.



TECHNICAL INFORMATION (typ.)	+20°C, 24V DC
Operating principle	Ultrasonic sensor, Ultrasonic barrier
Evaluation	digital
Size	M18 x 1 (thread)
Design	screw
Sending axis	axial
Service voltage	11 ... 30 V DC
No-load current	45 mA
Operating distance	1500 mm
Adjustment range	120 ... 1500 mm
Resolution	0,5 mm
Sensitivity adjustment	Remote teach
Switching output	pnp, 100 mA, NO/NC
Switching hysteresis	2 mm, axial
Sound frequency	180 kHz
Ripple	10 %
Shock-/vibration load	10 ... 55 Hz / 1,0 mm / 30 g
Switching frequency	5 Hz
Response-/release time	100 ms
Reproducibility	2 % / Sn max.
Ambient temperature, operation	0 ... +60 °C
Temperature drift	stabilized
Insulation voltage endurance	500 V
Protection class	IP 67

# UST 18 M 1500 P3-B4

## Ultrasonic sensor



<b>TECHNICAL INFORMATION (typ.)</b>	<b>+20°C, 24V DC</b>
Casing material	brass nickel plated
Connection	Connector, M12, 4-poled
Scope of delivery	2 x M18 nuts, 2 x washers, 2 x rubber sleeves