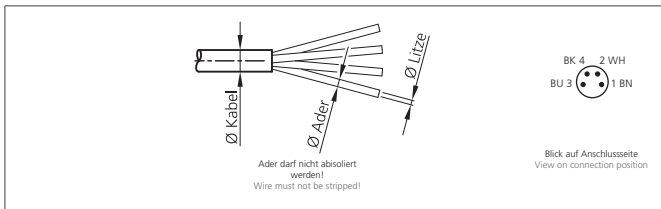


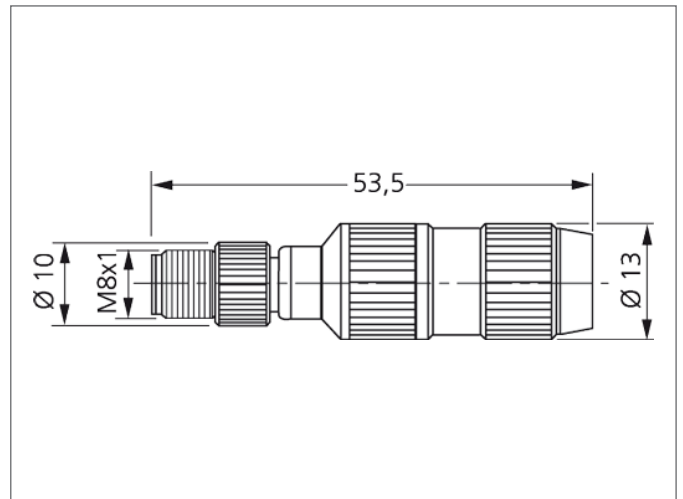
# MS-Z-8/4 Connector

- Metal/plastic housing
- Turnable metal screw
- Quick mounting without tools
- High protection class by IP 67



## Safety instructions

The Instruments are not to be used for safety applications, in particular applications in which safety of persons depends on proper operation of the instruments. These instruments shall exclusively be used by qualified personnel.



TECHNICAL INFORMATION (typ.)	+20°C, 24V DC
Design	straight
Service voltage	32 V DC
Ambient temperature, operation	-25 ... +85 °C
Protection class	IP 67
Casing material	Metal/Plastic
Connection sensor side	Field-wireable, Insulation displacement connectors, 4-poled
Connection control side	Connector, M8x1, 4-poled
For cable diameters	4,0 ... 5,1 mm
For Ø vein	1,0 ... 1,6 mm, (Wire must not be stripped!)
For stranded wire cross section	0,25 ... 0,50 mm <sup>2</sup>