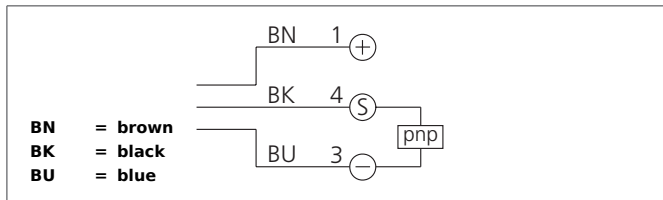


USE 46 K 1500 PSKT-TSSL Ultrasonic Through Beam Sensor, Receiver

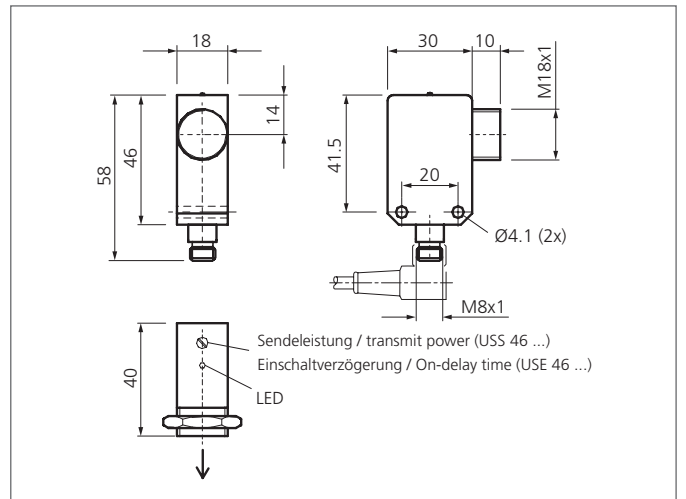
- Without blind zone
- Insensitive to dirt
- Insensitive to ambient noise
- Scanning does not depend on surface
- High operating frequency
- On-delay time adjustable



Safety instructions

The Instruments are not to be used for safety applications, in particular applications in which safety of persons depends on proper operation of the instruments.

These instruments shall exclusively be used by qualified personnel.



TECHNICAL INFORMATION (typ.)		+20°C, 24V DC
Operating principle		Ultrasonic through beam sensor
Evaluation		digital
Size		46 x 30 x 18 mm (Dimensions)
Design		cuboid design
Service voltage		18 ... 30 V DC
No-load current		17 mA
Operating distance		0 ... 1500 mm
Switching output		pnp, 100 mA, NO
Shock-/vibration load		10 ... 55 Hz / 1,0 mm / 30 g
Switching frequency		200 Hz
Response-/release time		/ 3,0 ms
On-delay time (Trig.)		3 ... 400 ms, Adjustable at receiver
Ambient temperature, operation		-20 ... +50 °C
Insulation voltage endurance		500 V
Protection class		IP 67
Casing material		stainless steel, plastics V2A (1.4301 / AISI 304), (Polyamide - PA)
Connection		Connector, M8, 3-poled