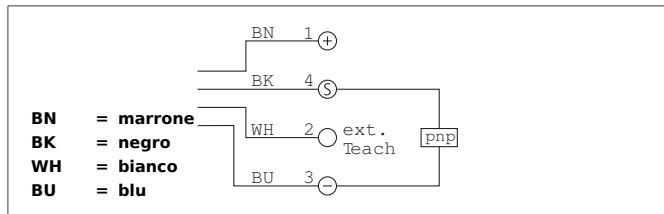


# USCRTI 18 MR 700 FPSK-BSL

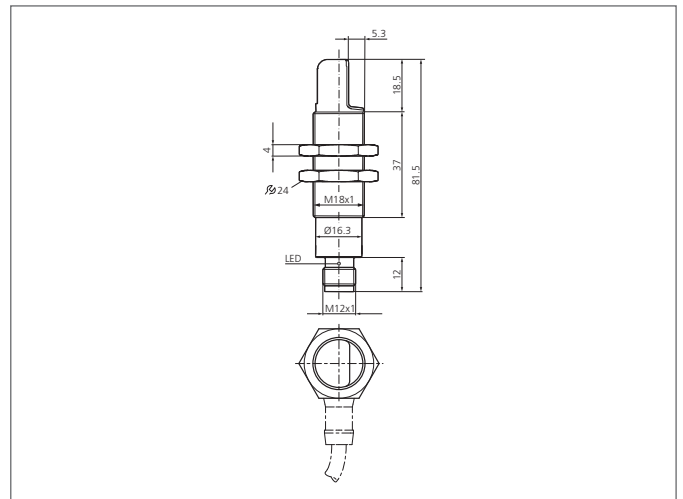
## Ultrasonic barrier

- Ultrasonic barrier
- Sound outlet radial
- Scanning range adjustable via teach input
- Insensitive to dirt and ambient noise due to a large functional reserve
- Small blind zone
- Metal casing
- Small design
- High protection class



### Safety instructions

The Instruments are not to be used for safety applications, in particular applications in which safety of persons depends on proper operation of the instruments.  
 These instruments shall exclusively be used by qualified personnel.



TECHNICAL INFORMATION (typ.)		+20°C, 24V DC
Operating principle		Ultrasonic barrier
Evaluation		digital
Size		M18 x 1 (thread)
Design		screw
Standardized measuring plate		20 x 20 mm
Service voltage		20 ... 30 V DC
No-load current		< 20 mA
Operating distance		0 ... 700 mm
Adjustment range		350 ... 750 mm
Sensitivity adjustment		Remote teach
Switching output		pnp, 150 mA, NO
Switching hysteresis		3 mm
Sound frequency		200 kHz
Shock-/vibration load		10 ... 55 Hz / 1,0 mm / 30 g
Switching frequency		< 5 Hz
Response-/release time		100 ms
Ambient temperature, operation		-25 ... +70 °C
Insulation voltage endurance		500 V
Protection class		IP 67
Casing material		brass nickel plated
Material		PBTP (Crastin) (Transducer enclosure) epoxy resin (Transducer surface)
Connection		Connector, M12, 4-poled