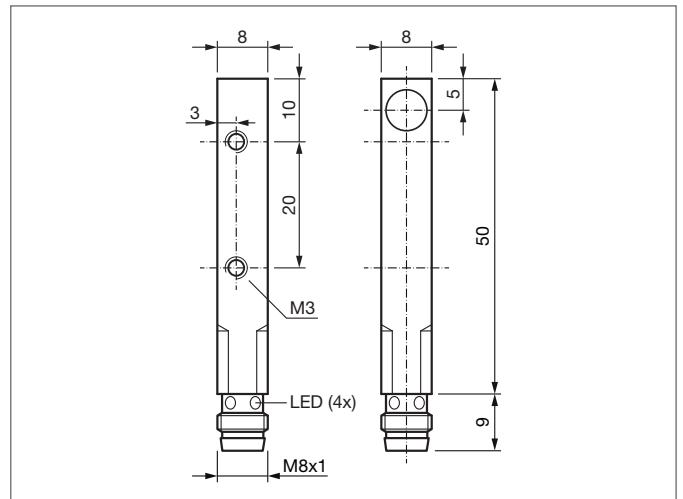


- 金属插头
- 集成的放大器
- 防止短路
- 启动脉冲抑制
- LED



**Safety instructions**

The Instruments are not to be used for safety applications, in particular applications in which safety of persons depends on proper operation of the instruments.  
 These instruments shall exclusively be used by qualified personnel.



| TECHNICAL INFORMATION (typ.) |  | +20°C, 24V DC                |
|------------------------------|--|------------------------------|
| 操作原理                         |  | 电感式                          |
| 评估                           |  | 数字的                          |
| 设计                           |  | 方形设计                         |
| 安装                           |  | 齐平                           |
| 特征                           |  | 增大的工作距离                      |
| 工作距离                         |  | 2 mm                         |
| 标准化的测量板                      |  | 8 x 8 x 1 mm                 |
| 工作电压                         |  | 10 ... 30 V DC               |
| 内部功耗                         |  | < 10 mA                      |
| 开关输出                         |  | pnp, 200 mA, NC              |
| 开关滞后                         |  | < 15 %                       |
| 负载振荡                         |  | 10 ... 55 Hz / 1,0 mm / 30 g |
| 压降                           |  | < 2,4 V                      |
| 工作频率                         |  | 2000 Hz                      |
| 环境温度                         |  | -25 +70 ° C                  |
| 绝缘电压                         |  | 500 V                        |
| 防护等级                         |  | IP 67                        |
| 外壳材料                         |  | brass nickel plated          |
| 连接                           |  | Connector, M8                |