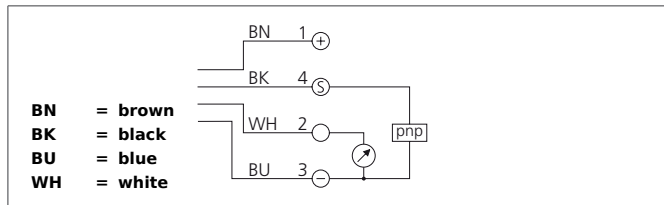
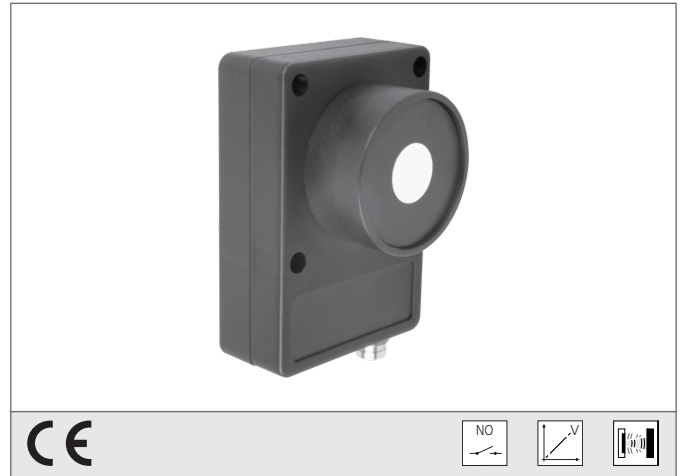


US 60 K 500 PSA-TSSL

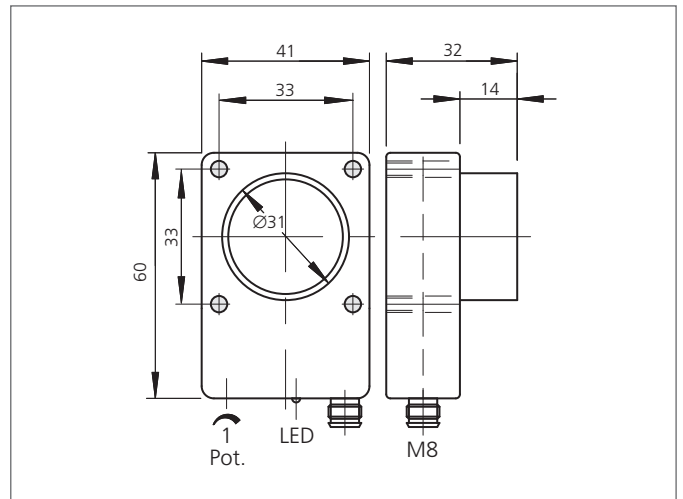
Ultrasonic Sensor

- Robust casing
- Compact design
- Scanning range adjustable
- Insensitive to dirt
- Insensitive to ambient noise
- Scanning does not depend on surface
- Switching output and analog output
- High follow-up speed
- High resolution
- Piezo-ceramic composite transducer



Safety instructions

The Instruments are not to be used for safety applications, in particular applications in which safety of persons depends on proper operation of the instruments.
 These instruments shall exclusively be used by qualified personnel.



TECHNICAL INFORMATION (typ.)		+20°C, 24V DC
Operating principle		Ultrasonic sensor
Evaluation		digital, analog
Size		60 x 41 x 18 mm (Dimensions)
Design		cuboid design
Service voltage		15 ... 30 V DC
No-load current		< 60 mA
Operating distance		80 ... 500 mm
Resolution		0,2 % / Sn max.
Switching output		pnp, 100 mA, NO + analog
Switching hysteresis		15 mm
Analog output		0 ... 10 V
Measuring time		60 ms (95% Sn max.)
Sound frequency		180 kHz
Ripple		60 mV
Linearity analog output		< 0,5 % / Sn max.
Shock-/vibration load		10 ... 55 Hz / 1,0 mm / 30 g
Switching frequency		8 Hz
Accuracy		< 1 % / Sn max.
Response-/release time		50 ms / 80 ms (50% Sn max.)
Ambient temperature, operation		-20 ... +50 °C
Temperature drift		1 % (-20 ... +50°C)
Load resistance		> 10000 Ω
Insulation voltage endurance		500 V

US 60 K 500 PSA-TSSL

Ultrasonic Sensor



TECHNICAL INFORMATION (typ.)	+20°C, 24V DC
Protection class	IP 67
Casing material	polyamide
Connection	Connector, M8, 4-poled