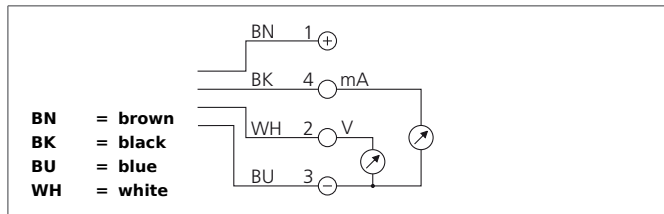
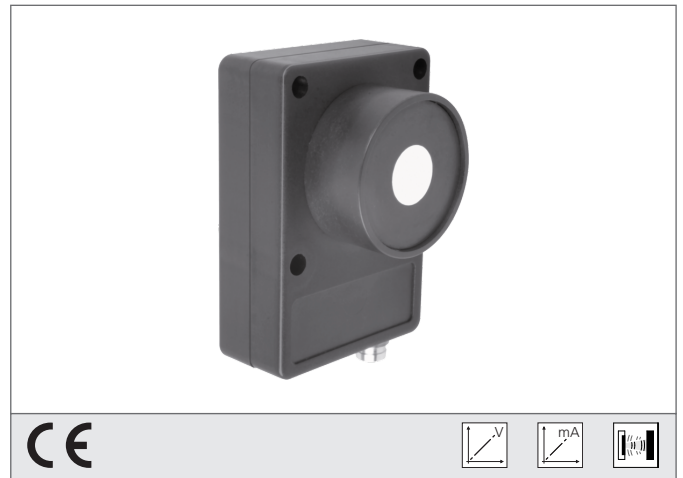


US 60 K 500 AI-TSSL

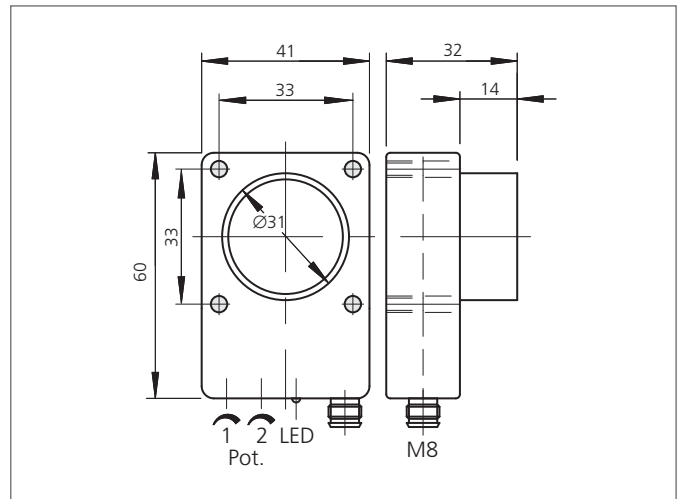
Ultrasonic Sensor

- Robust casing
- Compact design
- Zero and full scale adjustable
- Scanning range adjustable
- Insensitive to dirt
- Insensitive to ambient noise
- Scanning does not depend on surface
- Analog output
- High follow-up speed
- High resolution
- Piezo-ceramic composite transducer



Safety instructions

The Instruments are not to be used for safety applications, in particular applications in which safety of persons depends on proper operation of the instruments.
These instruments shall exclusively be used by qualified personnel.



| TECHNICAL INFORMATION (typ.) | +20°C, 24V DC |
|--------------------------------|------------------------------|
| Operating principle | Ultrasonic sensor |
| Evaluation | analog |
| Size | 60 x 41 x 18 mm (Dimensions) |
| Design | cuboid design |
| Service voltage | 15 ... 30 V DC |
| No-load current | 80 mA |
| Operating distance | 80 ... 800 mm |
| Resolution | 0,2 % / Sn max. |
| Switching output | Analog output (2x) |
| Analog output | 0 ... 10 V, 4 ... 20 mA |
| Measuring time | 60 ms (95% Sn max.) |
| Sound frequency | 180 kHz |
| Ripple | 60 mV |
| Linearity analog output | < 0,5 % / Sn max. |
| Shock-/vibration load | 10 ... 55 Hz / 1,0 mm / 30 g |
| Accuracy | < 1 % / Sn max. |
| Ambient temperature, operation | -20 ... +50 °C |
| Temperature drift | 1 % (-20 ... +50°C) |
| Load resistance | > 10000 Ω / < 400 Ω |
| Insulation voltage endurance | 500 V |
| Protection class | IP 67 |
| Casing material | polyamide |
| Connection | Connector, M8, 4-poled |