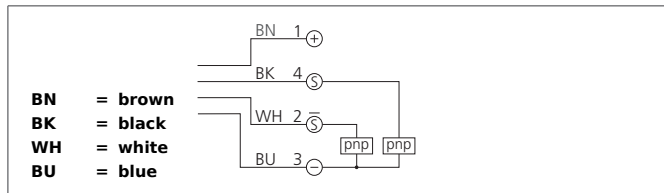


DCCR 80 K 50 PSOL-KL

Inductive Proximity Switch

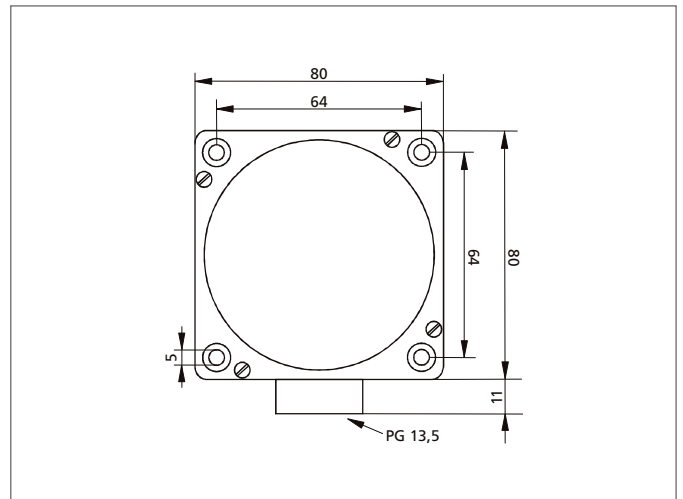
- Connection clamps
- Protection against short-circuit and reverse polarity
- LED indicator for output state
- High protection class IP 67



Safety instructions

The Instruments are not to be used for safety applications, in particular applications in which safety of persons depends on proper operation of the instruments.

These instruments shall exclusively be used by qualified personnel.



| TECHNICAL INFORMATION (typ.) | +20°C, 24V DC |
|--------------------------------|---|
| Operating principle | Inductive |
| Evaluation | digital |
| Size | 80 x 80 x 40 mm (Dimensions) |
| Design | cuboid design |
| Mounting | non-flush |
| Operating distance | 50 mm |
| Standardized measuring plate | 150 x 150 x 1 mm |
| Service voltage | 10 ... 30 V DC |
| No-load current | < 10 mA |
| Switching output | pnp, 200 mA, NO/NC, exclusive OR |
| Switching hysteresis | < 15 % |
| LED indicator | yes |
| Shock-/vibration load | 10 ... 55 Hz / 1,0 mm / 30 g |
| Voltage drop | < 2,4 V |
| Switching frequency | 100 Hz |
| Ambient temperature, operation | -25 ... +70 °C |
| Insulation voltage endurance | 500 V |
| Protection class | IP 67 |
| Casing material | plastics (polycarbonate - PC) |
| Connection | Connection compartment, for 4 x 1.5 mm ² |