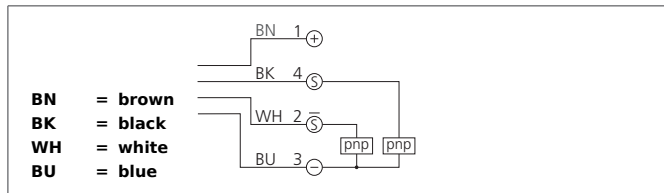


DCCR 80 K 50 PSOL-KL

Inductive Proximity Switch

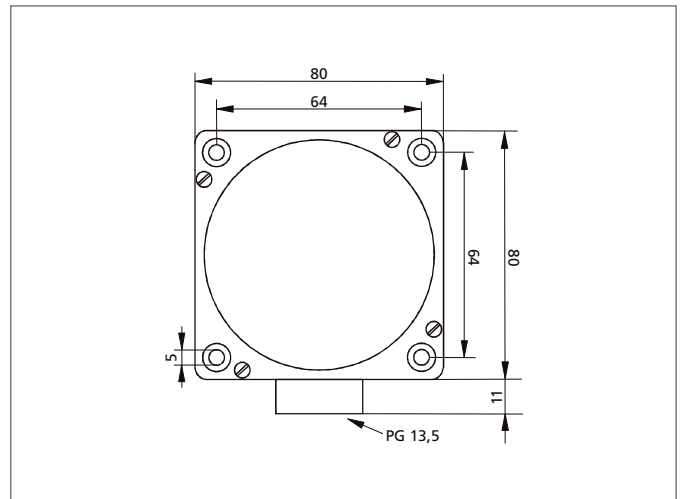
- Connection clamps
- Protection against short-circuit and reverse polarity
- LED indicator for output state
- High protection class IP 67



Safety instructions

The Instruments are not to be used for safety applications, in particular applications in which safety of persons depends on proper operation of the instruments.

These instruments shall exclusively be used by qualified personnel.



TECHNICAL INFORMATION (typ.)	+20°C, 24V DC
Operating principle	Inductive
Evaluation	digital
Size	80 x 80 x 40 mm (Dimensions)
Design	cuboid design
Mounting	non-flush
Operating distance	50 mm
Standardized measuring plate	150 x 150 x 1 mm
Service voltage	10 ... 30 V DC
No-load current	< 10 mA
Switching output	pnp, 200 mA, NO/NC, exclusive OR
Switching hysteresis	< 15 %
LED indicator	yes
Shock-/vibration load	10 ... 55 Hz / 1,0 mm / 30 g
Voltage drop	< 2,4 V
Switching frequency	100 Hz
Ambient temperature, operation	-25 ... +70 °C
Insulation voltage endurance	500 V
Protection class	IP 67
Casing material	plastics (polycarbonate - PC)
Connection	Connection compartment, for 4 x 1.5 mm ²