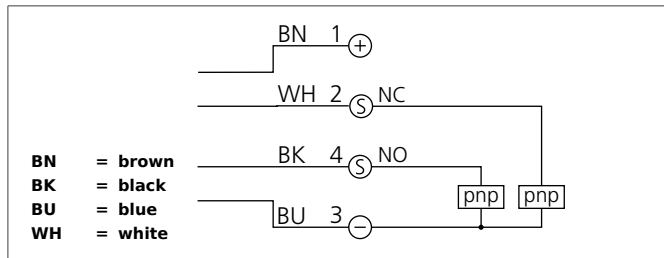


DCCR 44 K 40 PSOL-IBS

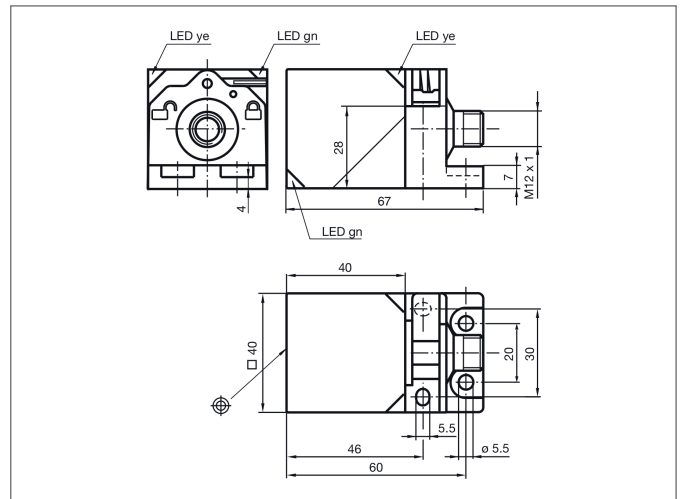
Inductive Proximity Switch

- Sensor probe pivotable as well as rotatable
- Quick mounting bracket
- Integrated amplifier
- Protection against short-circuit and reverse polarity
- Starting pulse suppression
- LEDs for service voltage and output status
- 4-way LED indicator for 360° visibility



Safety instructions

The Instruments are not to be used for safety applications, in particular applications in which safety of persons depends on proper operation of the instruments.
 These instruments shall exclusively be used by qualified personnel.



TECHNICAL INFORMATION (typ.)	+20°C, 24V DC
Operating principle	Inductive
Evaluation	digital
Size	40 x 40 x 67 mm (Dimensions)
Design	cuboid design
Mounting	non-flush
Operating distance	40 mm
Maximum rating	short-circuit-proof, polarity-safe
Standardized measuring plate	105 x 105 x 1 mm
Service voltage	10 ... 30 V DC
No-load current	< 20 mA
Switching output	pnp, 200 mA, exclusive OR
Switching hysteresis	5 %
LED indicator	yes
Shock-/vibration load	10 ... 55 Hz / 1,0 mm / 30 g
Voltage drop	< 2,0 V
Switching frequency	0 ... 150 Hz
Ambient temperature, operation	-25 ... +85 °C
Protection class	IP 69K
Protection degree	II
Casing material	PA
Connection	Connector, M12 x 1