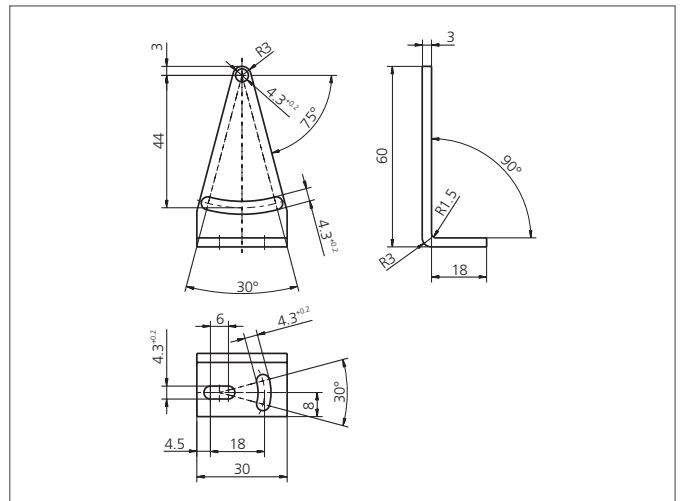


# BW 50 Mounting Bracket

- Adjustable
- Robust design



## TECHNICAL INFORMATION (typ.)

Hole spacing	44 mm
Mounting hole	Ø 4,3 mm
Casing material	metal