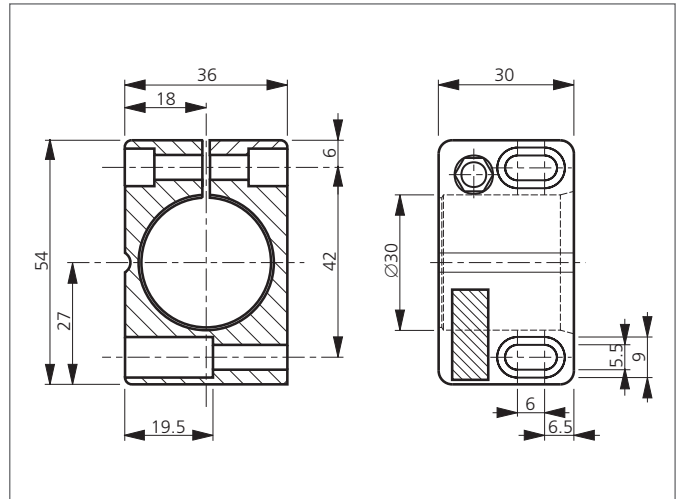


## SH 30 Sensor Holder

- For cylindrical Sensors of  $\varnothing$  30 mm or thread M30
- Simple installation
- Reduced mounting/downtimes thanks to one-piece construction
- Sensor exchange without changing the clamp position
- Oblong holes permit clamp adjustment



### TECHNICAL INFORMATION (typ.)

Hole spacing

**+20°C, 24V DC**

42 mm

Size

36 x 30 x 54 mm (Dimensions)  
30 mm (Clamping diameter G)

Characteristics

without limit stop

Casing material

plastics (polyamide - PA 6 GK)