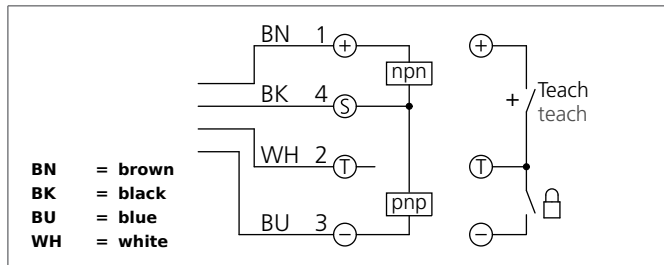


US 08 M 100 G3-T4

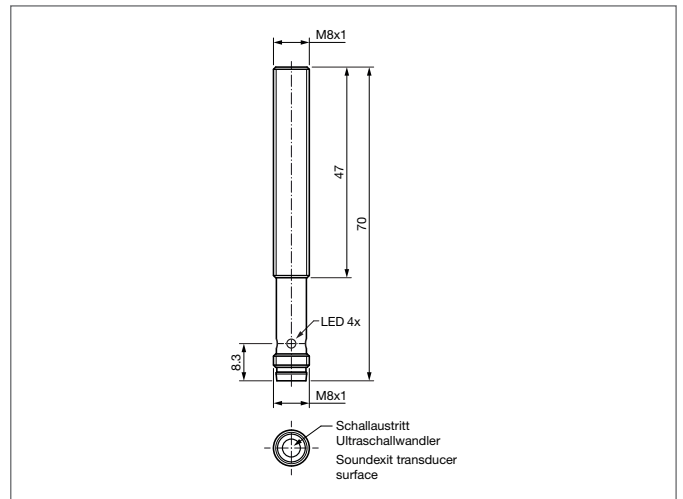
Ultrasonic Sensor

- IO-Link
- As a ultrasonic sensor or -barrier configurable
- 3 different teach modes
- Insensitive to dirt
- Extrem small design
- Metal casing with connector M8
- Protection class IP 67



Safety instructions

The Instruments are not to be used for safety applications, in particular applications in which safety of persons depends on proper operation of the instruments. These instruments shall exclusively be used by qualified personnel.



TECHNICAL INFORMATION (typ.)	+20°C, 24V DC
Operating principle	Ultrasonic sensor, Ultrasonic barrier, configurable via IO-Link
Evaluation	digital (via IO-Link)
Size	M8 x 1 (thread)
Design	screw
Sending axis	axial
Standardized measuring plate	20 x 20 mm
Service voltage	18 ... 30 V DC
No-load current	< 30 mA, (24 V DC)
Operating distance	20 ... 100 mm adjustable
Sensitivity adjustment	Remote teach
Mounting distance	> 60 mm (Sensor to sensor)
Switching output	Push pull, 150 mA, NO/NC, switchable
Max. power operating	150 mA
Switching hysteresis	1 ... 20 mm, via IO-Link adjustable
Sound frequency	484 kHz
Interface	IO-Link, V1.1, COM2 (38,4kBd), Smart Sensor Profile
Display	LED yellow (Display output)
Voltage drop	< 2,5 V
Switching frequency	< 20 Hz
Reproducibility	< 0,3 mm
Readiness delay	< 300 ms
Ambient temperature, operation	0 ... +50 °C
Temperature drift	0.2 %/K (uncompensated), < 1 %/Sn (compensated)

US 08 M 100 G3-T4 Ultrasonic Sensor



TECHNICAL INFORMATION (typ.)	+20°C, 24V DC
Insulation voltage endurance	500 V
Protection class	IP 67
Protection degree	III, operation on protective low voltage
Casing material	brass nickel plated
Material	epoxy resin, PUR (Transducer surface)
Connection	Connector, M8, 4-poled