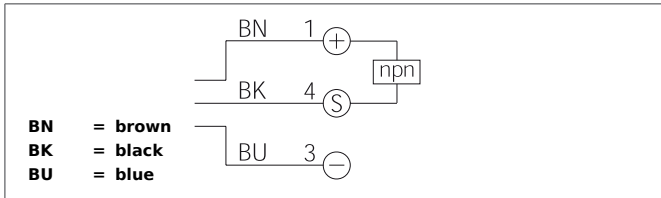
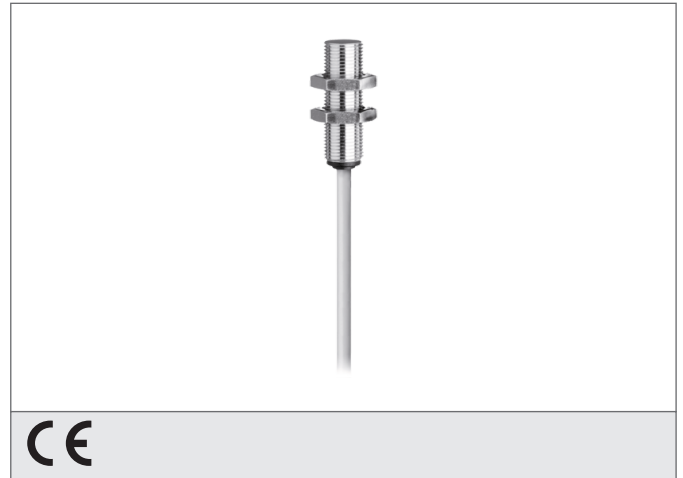


# DCCK 12 M 06 NSLK/5m PUR Inductive Proximity Switch

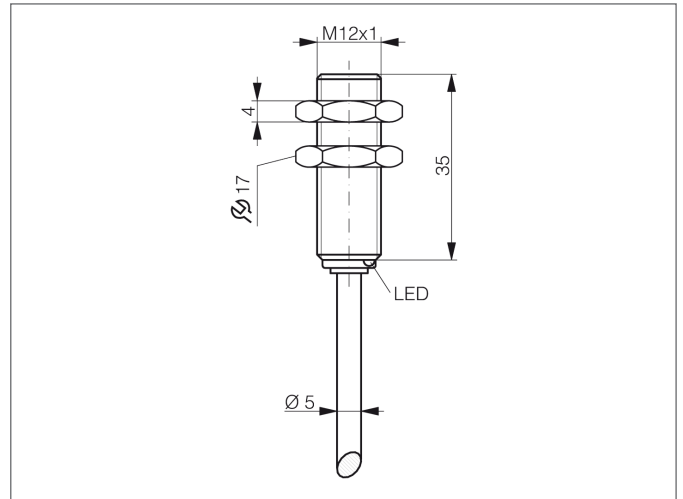
- Cable, highly flexible
- Integrated amplifier
- Short-circuit protection
- Starting pulse suppression
- LED



## Safety instructions

The Instruments are not to be used for safety applications, in particular applications in which safety of persons depends on proper operation of the instruments.

These instruments shall exclusively be used by qualified personnel.



TECHNICAL INFORMATION (typ.)		+20°C, 24V DC
Operating principle		Inductive
Evaluation		digital
Size		M12 x 1 (thread)
Design		screw
Mounting		quasi-flush
Operating distance		6 mm
Standardized measuring plate		18 x 18 x 1 mm
Service voltage		10 ... 30 V DC
No-load current		< 10 mA
Switching output		npn, 200 mA, NO
Shock-/vibration load		10 ... 55 Hz / 1,0 mm / 30 g
Voltage drop		< 2,0 V
Switching frequency		800 Hz
Ambient temperature, operation		-25 ... +70 °C
Protection class		IP 67
Casing material		brass nickel plated
Material		PUR (Cable)
Connection		Cable, 5,0 m