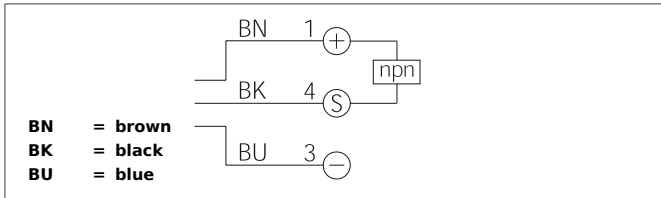


# DCC 50 VH 20 NSK/180

## Inductive Proximity Switch

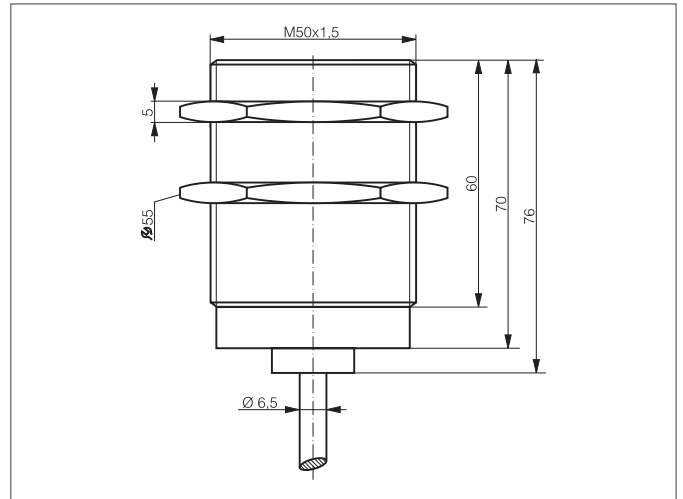
- High-temperature resistant up to 180 °C permanent temperature
- Stainless steel casing
- Active zone LCP
- Integrated amplifier
- Short-circuit protection
- Starting pulse suppression



### Safety instructions

The Instruments are not to be used for safety applications, in particular applications in which safety of persons depends on proper operation of the instruments.

These instruments shall exclusively be used by qualified personnel.



TECHNICAL INFORMATION (typ.)	+20°C, 24V DC
Operating principle	Inductive
Evaluation	digital
Size	M50 x 1,5 (thread)
Design	screw
Mounting	quasi-flush
Characteristics	up to 180 °C, high-temperature resistant
Operating distance	20 mm
Standardized measuring plate	60 x 60 x 1 mm
Service voltage	10 ... 30 V DC
No-load current	< 10 mA
Switching output	npn, 150 mA, NO
Switching hysteresis	2 ... 20 %
Shock-/vibration load	10 ... 55 Hz / 1,0 mm / 30 g
Voltage drop	< 2,0 V
Switching frequency	100 Hz
Ambient temperature, operation	0 ... +180 °C
Insulation voltage endurance	500 V
Protection class	IP 65
Casing material	stainless steel LCP
Material	Silicone (Cable)
Connection	Cable, 2,0 m