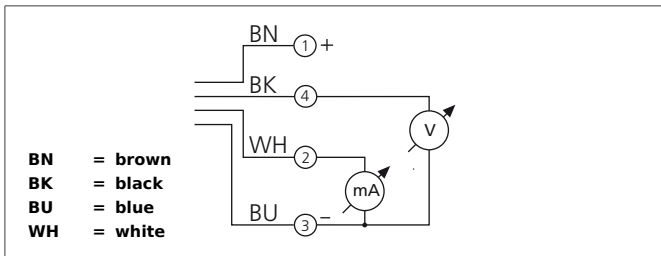


DCC 30 M 20 AIK-IBS

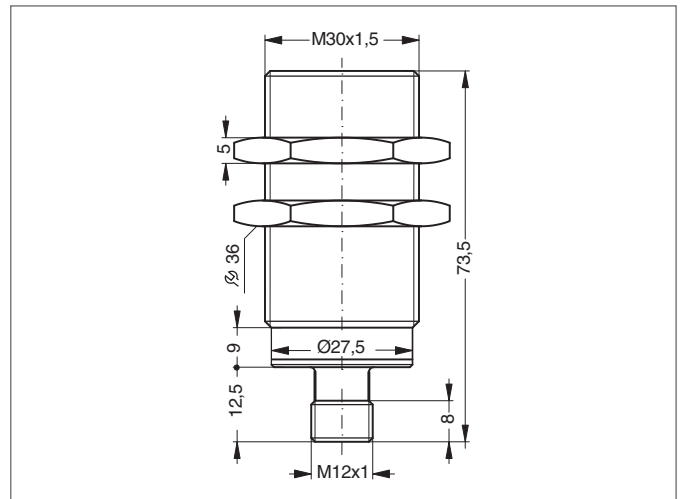
Inductive Proximity Switch

- Analog voltage output
- Analog current output
- Metal plug
- Integrated amplifier
- Starting pulse suppression



Safety instructions

The Instruments are not to be used for safety applications, in particular applications in which safety of persons depends on proper operation of the instruments.
 These instruments shall exclusively be used by qualified personnel.



| TECHNICAL INFORMATION (typ.) | +20°C, 24V DC |
|--------------------------------|------------------------------|
| Operating principle | Inductive |
| Evaluation | analog |
| Size | M30 x 1,5 (thread) |
| Design | screw |
| Mounting | quasi-flush |
| Operating distance | 0 ... 20 mm |
| Standardized measuring plate | 60 x 60 x 1 mm |
| Service voltage | 10 ... 30 V DC |
| No-load current | < 10 mA |
| Analog output | 0 ... 5 V, 1 ... 5 mA |
| Shock-/vibration load | 10 ... 55 Hz / 1,0 mm / 30 g |
| Switching frequency | 500 Hz |
| Ambient temperature, operation | -25 ... +70 °C |
| Insulation voltage endurance | 1.000 V |
| Protection class | IP 67 |
| Casing material | brass nickel plated |
| Connection | Connector, M12 |
| | |
| | |
| | |