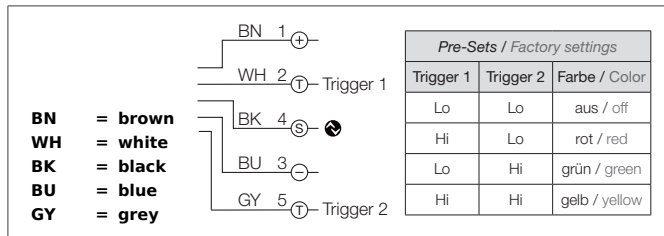
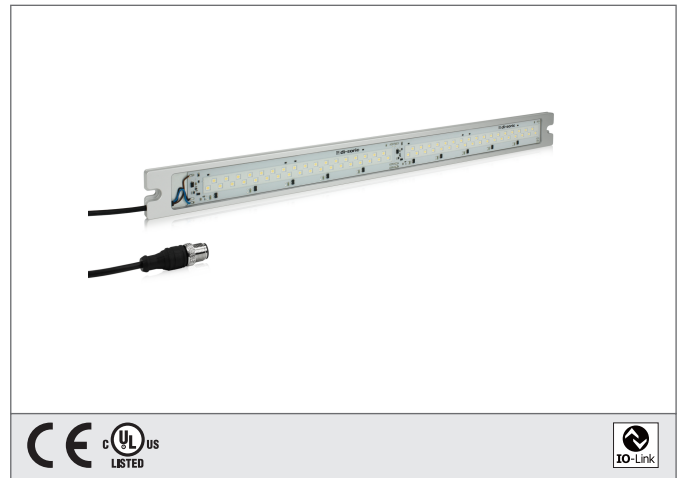


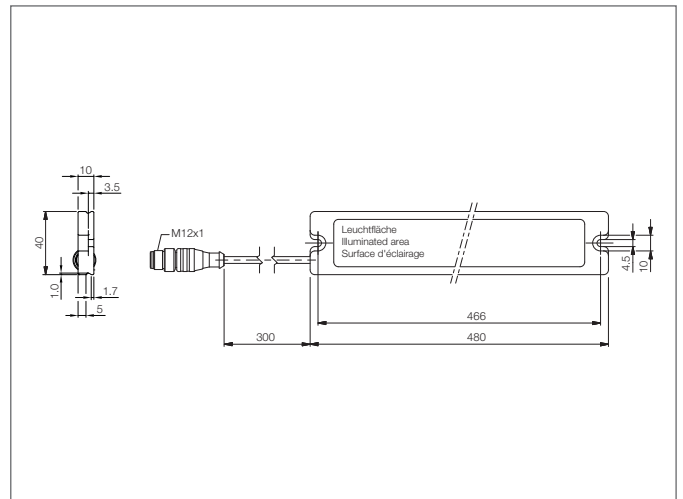
# SB-RGB-481-K-B5 Signal Light

- High light intensity thanks to most modern, highly efficient LEDs
- Easy operation even without IO-Link possible
- Per IO-Link free parameterizable functions
- Long-life thanks to intelligent thermal management
- Large light field for an optimal display of the machine status
- Can be used immediately by 3 color pre-sets: red - green - yellow
- High protection class IP 67
- Magnetic Holder Set available as an option
- Adjustable Mounting Bracket available as an option
- Attachable Diffusion filter available as an option



## Safety instructions

The Instruments are not to be used for safety applications, in particular applications in which safety of persons depends on proper operation of the instruments.  
These instruments shall exclusively be used by qualified personnel.



TECHNICAL INFORMATION (typ.)	+20°C, 24V DC
Operating modes	constant, blink, flash
Illuminated area	30 x 440 mm
Light colour	RGB + custom
Emission angle FWHM	120°
Service voltage	24 V DC ± 5%, (Supply Class 2)
No-load current	385 mA RMS / 750 mA Peak, (24 V DC)
Trigger input low level	< 5,0 V
Trigger input high level	> 8,0 V
Trigger input	3 color pre-sets: selectable by Trigger 1 + 2
Interface	IO-Link, V1.1, COM2 (38,4kBd), 2300 µs, for parameterization
Power	9,2 W (24 V DC)
Inverse polarity protection	Yes
Ambient temperature, operation	0 ... +40 °C
Protection class	IP 67
Protection degree	III, operation on protective low voltage
Risk group (DIN EN 62471)	Free group
Casing material	Aluminium nature anodized
Material	PU, crystal clear (Window)
Connection	Cable, 0,3 m, with connector, M12, 5-poled
Light intensity can be adjusted	10 ... 100%, by IO-Link
Weight	390 g
Connecting cable	VK ... /5
Cable length max.	10.0 m, (5 x 0.34 mm <sup>2</sup> / 24.0 V DC)