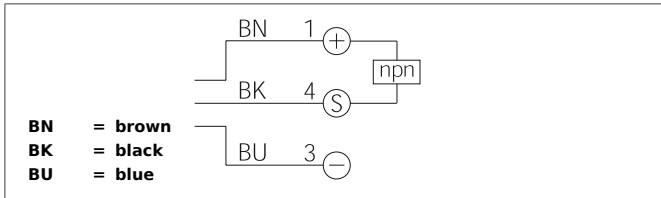


DCC 50 VH 20 NSK/230/V

Inductive Proximity Switch

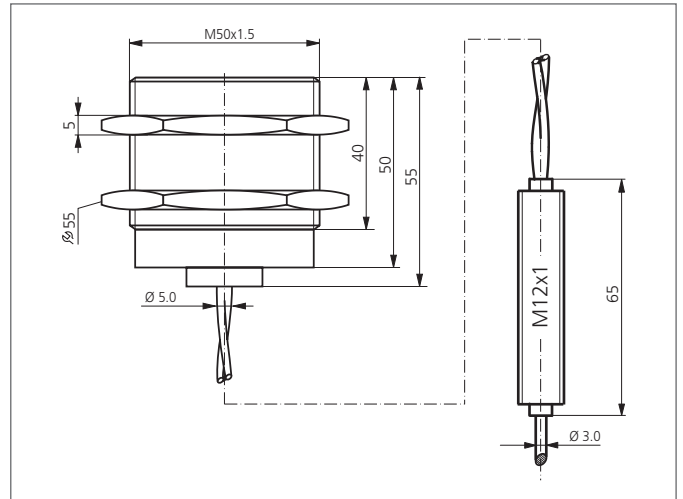
- High-temperature resistant up to 230 °C permanent temperature
- Stainless steel casing
- Active zone LCP
- External amplifier
- Short-circuit protection
- Starting pulse suppression



Safety instructions

The Instruments are not to be used for safety applications, in particular applications in which safety of persons depends on proper operation of the instruments.

These instruments shall exclusively be used by qualified personnel.



TECHNICAL INFORMATION (typ.)		+20°C, 24V DC
Operating principle		Inductive
Evaluation		digital
Size		M50 x 1,5 (thread)
Design		screw
Mounting		quasi-flush
Characteristics		up to 230 °C, high-temperature resistant
Operating distance		20 mm
Standardized measuring plate		60 x 60 x 1 mm
Service voltage		10 ... 30 V DC
No-load current		< 5 mA
Switching output		npn, 200 mA, NO
Switching hysteresis		3 ... 15 %
Shock-/vibration load		10 ... 55 Hz / 1,0 mm / 30 g
Voltage drop		< 2,0 V
Switching frequency		150 Hz
Ambient temperature, operation		0 ... +230 °C (sensor)
Insulation voltage endurance		500 V
Protection class		IP 65
Casing material		stainless steel LCP
Material		PTFE (Cable) VA (amplifier)
Connection		Cable, 2,0 m, 3,0 m, Sensor / amplifier, for amplifier(s)