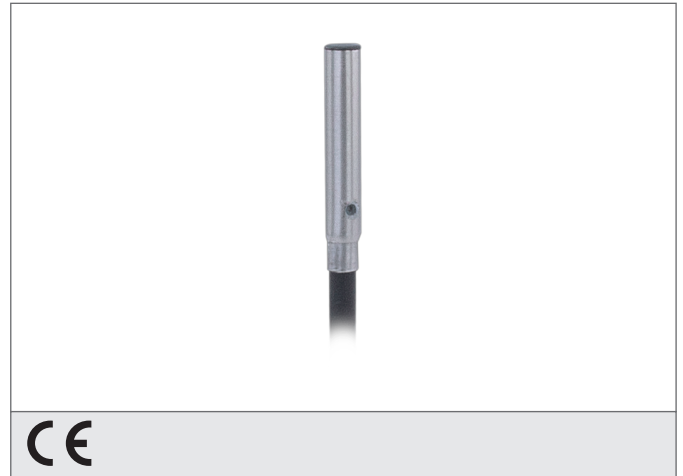
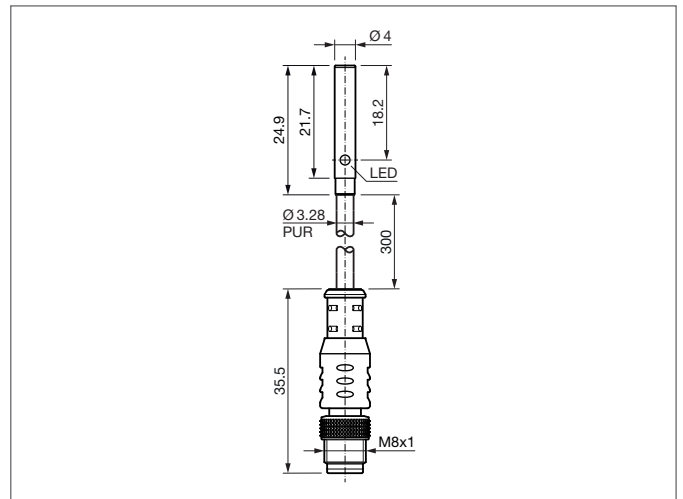


- 不锈钢外壳
- 线缆，高弹力可弯折
- 集成的放大器
- 防止短路
- 启动脉冲抑制
- LED
- 金属插头



Safety instructions

The Instruments are not to be used for safety applications, in particular applications in which safety of persons depends on proper operation of the instruments.
 These instruments shall exclusively be used by qualified personnel.



| TECHNICAL INFORMATION (typ.) | | +20°C, 24V DC |
|------------------------------|--|--|
| 操作原理 | | 电感式 |
| 评估 | | 数字的 |
| 尺寸 | | 4,0 mm (直径) |
| 设计 | | 圆柱形 |
| 安装 | | 齐平 |
| 工作距离 | | 0.8 mm |
| 标准化的测量板 | | 4 x 4 x 1 mm |
| 工作电压 | | 10 ... 30 V DC |
| 内部功耗 | | < 10 mA |
| 开关输出 | | pnp, 100 mA, NO |
| 开关滞后 | | 1 ... 20 % |
| LED指示灯 | | 是 |
| 压降 | | < 1,5 V |
| 工作频率 | | 5000 Hz |
| 重复定位精度 | | 5 % (UB = 20 ... 30 V DC, TA = 23 ° C ± 5 °) |
| 环境温度 | | -25 +70 ° C |
| 绝缘电压 | | 500 V |
| 防护等级 | | IP 67 |
| 外壳材料 | | stainless steel V2A (1.4305 / AISI 303) |
| 材料 | | PBT (传感器探头) PUR (电缆) |
| 连接 | | Cable, 0,3 m, with connector, M8 |