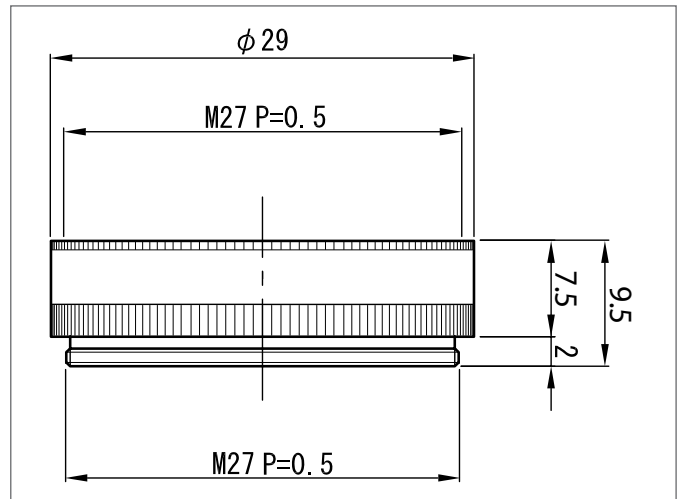


## O-POL-27

### Polarizer with locking screw

- For reduction of mirroring and reflections in conjunction with polarized light
- Real-glass filter
- Polarization effect can be adjusted and set using an integrated locking screw
- Housing made of black anodized aluminium



#### TECHNICAL INFORMATION (typ.)

Size	Ø 29 mm (Diameter)
Characteristics	Mounting thread for additional filter
Material	Aluminium (Filter thread) Glass (Filter)
Filter thread	M27 x 0.5