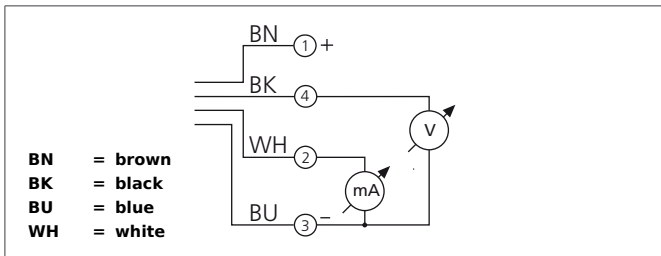


DCC 18 M 20/10 AIK-IBS

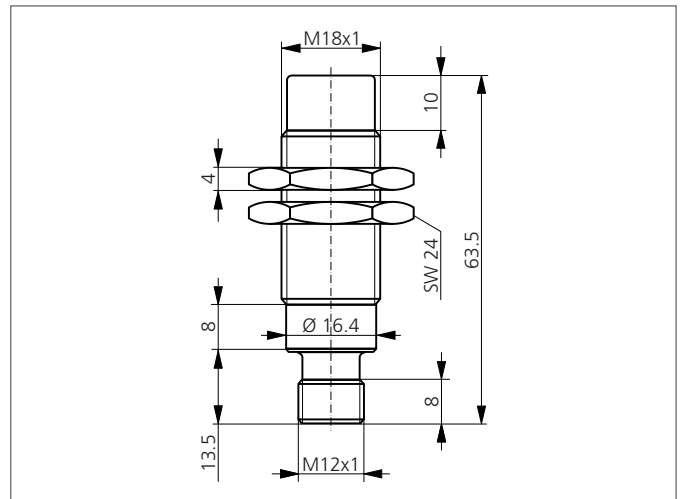
Inductive Proximity Switch

- Analog current output
- Analog voltage output
- Metal plug
- Integrated amplifier
- Short-circuit protection
- Inverse polarity protection
- Starting pulse suppression



Safety instructions

The Instruments are not to be used for safety applications, in particular applications in which safety of persons depends on proper operation of the instruments.
 These instruments shall exclusively be used by qualified personnel.



TECHNICAL INFORMATION (typ.)	+20°C, 24V DC
Operating principle	Inductive
Evaluation	analog
Size	M18 x 1 (thread)
Design	screw
Mounting	non-flush
Characteristics	extremely high operating distance
Operating distance	0 ... 20 mm
Standardized measuring plate	60 x 60 x 1 mm
Service voltage	15 ... 30 V DC
No-load current	< 12 mA
Resolution	5 µm
Analog output	0 ... 10 V (> 10 KΩ), 4 ... 20 mA (< 500 Ω), unlinearized
Shock-/vibration load	10 ... 55 Hz / 1,0 mm / 30 g
Switching frequency	250 Hz
Reproducibility	0,05 mm (TA = constant), 0,3 mm (according to IEC 60947-5-2), ± 0,05 mm (TA = constant) / 0,3 mm (23°C ± 5°C)
Ambient temperature, operation	-25 ... +70 °C
Insulation voltage endurance	500 V
Protection class	IP 67
Casing material	brass nickel plated
Material	PBT (Sensor probe)
Connection	Connector, M12