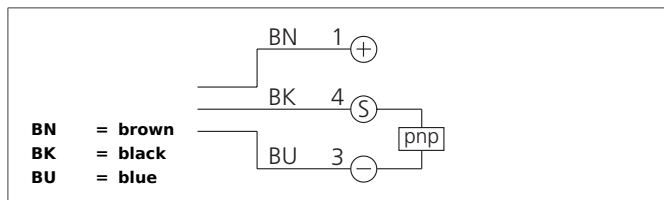


# DCC 3.0 V 1.0 POLK

## Inductive Proximity Switch

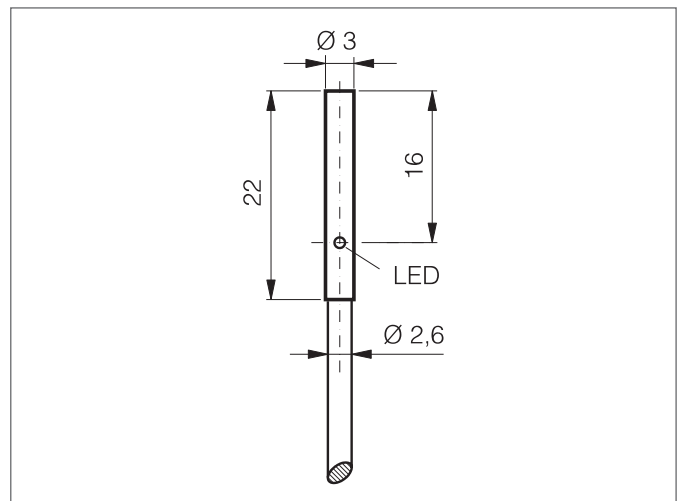
- Cable, highly flexible
- Integrated amplifier
- Short-circuit protection
- Starting pulse suppression
- LED



### Safety instructions

The Instruments are not to be used for safety applications, in particular applications in which safety of persons depends on proper operation of the instruments.

These instruments shall exclusively be used by qualified personnel.



| TECHNICAL INFORMATION (typ.)   | +20°C, 24V DC                |
|--------------------------------|------------------------------|
| Operating principle            | Inductive                    |
| Evaluation                     | digital                      |
| Size                           | Ø 3,0 mm (Diameter)          |
| Design                         | cylinder                     |
| Mounting                       | flush                        |
| Characteristics                | increased operating distance |
| Operating distance             | 1 mm                         |
| Standardized measuring plate   | 3 x 3 x 1 mm                 |
| Service voltage                | 10 ... 30 V DC               |
| No-load current                | < 10 mA                      |
| Switching output               | pnp, 100 mA, NC              |
| Switching hysteresis           | 5 %                          |
| Shock-/vibration load          | 10 ... 55 Hz / 1,0 mm / 30 g |
| Voltage drop                   | < 2,0 V                      |
| Switching frequency            | 3000 Hz                      |
| Ambient temperature, operation | -25 ... +70 °C               |
| Insulation voltage endurance   | 500 V                        |
| Protection class               | IP 67                        |
| Casing material                | stainless steel              |
| Material                       | PUR (Cable)                  |
| Connection                     | Cable, 2,0 m                 |