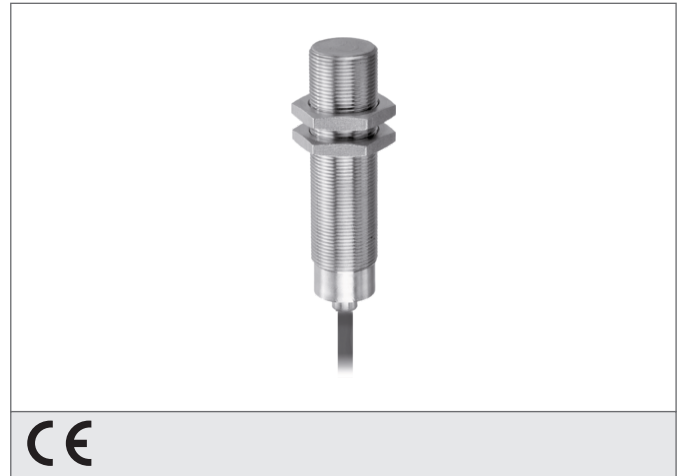


DCC 18 VH 05 PSK/230/V/IP67

Inductive Proximity Switch

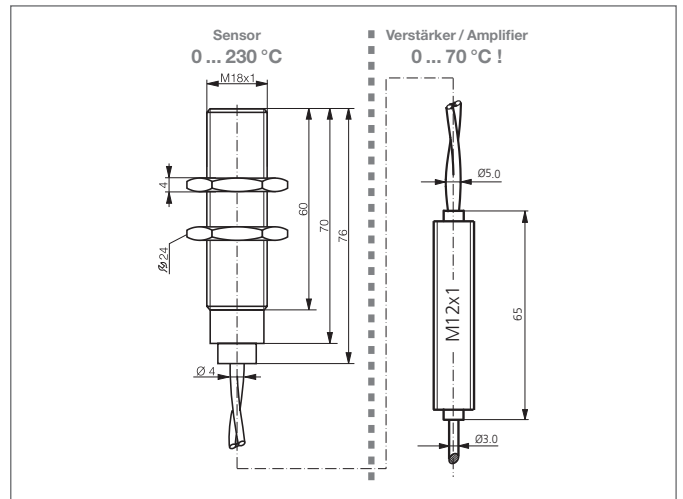
- High-temperature resistant up to 230 °C permanent temperature
- Stainless steel casing
- Active zone LCP
- External amplifier
- Short-circuit protection
- Starting pulse suppression



Safety instructions

The Instruments are not to be used for safety applications, in particular applications in which safety of persons depends on proper operation of the instruments.

These instruments shall exclusively be used by qualified personnel.



| TECHNICAL INFORMATION (typ.) | +20°C, 24V DC |
|--------------------------------|---|
| Operating principle | Inductive |
| Evaluation | digital |
| Size | M18 x 1 (thread) |
| Design | screw |
| Mounting | flush |
| Characteristics | up to 230 °C, high-temperature resistant |
| Operating distance | 5 mm |
| Standardized measuring plate | 18 x 18 x 1 mm |
| Service voltage | 10 ... 30 V DC |
| No-load current | < 5 mA |
| Switching output | pnp, 200 mA, NO |
| Switching hysteresis | 3 ... 15 % |
| Voltage drop | < 2,0 V |
| Switching frequency | 300 Hz |
| Ambient temperature, operation | +230 °C (sensor) 0 ... +70 °C Amplifier |
| Insulation voltage endurance | 500 V |
| Protection class | IP 67 |
| Casing material | stainless steel LCP |
| Material | PTFE (Cable) |
| Connection | Cable, 3,0 m, Sensor / amplifier, for amplifier(s), Cable PUR 2000 mm |