

# DCC 14 V 03 PSK 500-IBS

## Inductive Proximity Switch

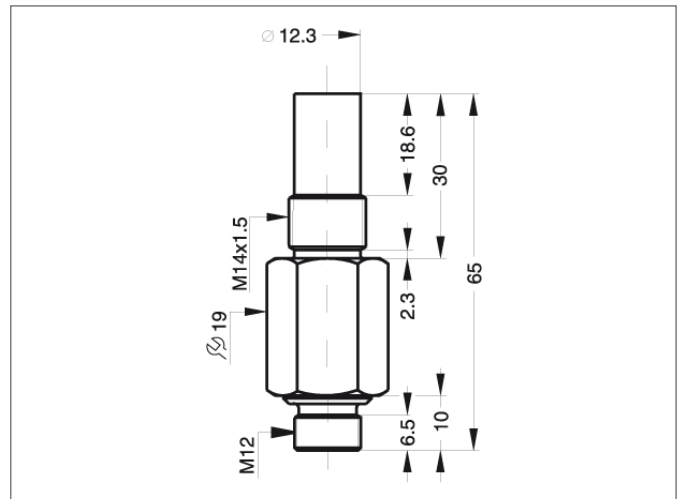
- High-pressure resistant version up to 500 bar
- Stainless steel casing
- Sensing surface ZrO<sub>2</sub>-ceramic
- Metal plug
- Integrated amplifier
- Short-circuit protection
- Starting pulse suppression



### Safety instructions

The Instruments are not to be used for safety applications, in particular applications in which safety of persons depends on proper operation of the instruments.

These instruments shall exclusively be used by qualified personnel.



TECHNICAL INFORMATION (typ.)	+20°C, 24V DC
Operating principle	Inductive
Evaluation	digital
Size	M14 x 1,5 (thread)
Design	screw
Mounting	flush
Characteristics	up to 500 bar, high-pressure resistant
Operating distance	3 mm
Standardized measuring plate	14 x 14 x 1 mm
Service voltage	10 ... 30 V DC
No-load current	< 10 mA
Switching output	pnp, 200 mA, NO
Switching hysteresis	< 10 %
Shock-/vibration load	10 ... 55 Hz / 1,0 mm / 30 g
Voltage drop	< 2,0 V
Switching frequency	500 Hz
Ambient temperature, operation	-25 ... +80 °C
Insulation voltage endurance	500 V
Protection class	IP 68
Casing material	stainless steel / ZrO <sub>2</sub> - ceramic
Connection	Connector, M12