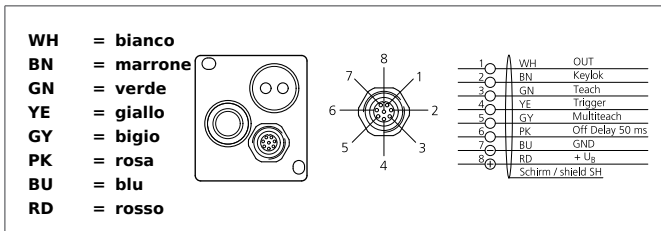


FSB 10 M G1-B8

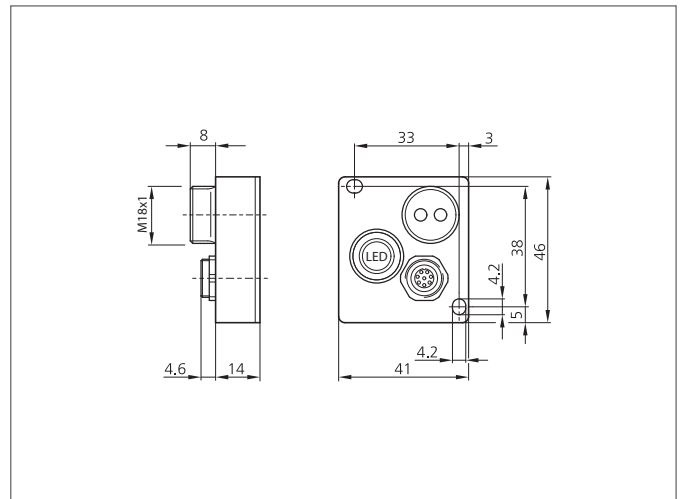
Colour Sensor

- Short response time
- Adjustable colour tolerance
- Distinction of smallest shades
- High ambient light immunity
- Integrated long-term stability
- Status indication via LEDs
- Key lock function
- Short response time
- Compact design
- Metal casing
- High protection class
- Intuitive teach-in with tolerance-tuning



Safety instructions

The Instruments are not to be used for safety applications, in particular applications in which safety of persons depends on proper operation of the instruments.
These instruments shall exclusively be used by qualified personnel.



TECHNICAL INFORMATION (typ.)	+20°C, 24V DC
Size	41 x 46 x 14 mm (Dimensions)
Service voltage	10 ... 28 V DC
No-load current	80 mA, (24 V DC)
Control elements	1
Light spot size	Dependent on focus optic
Emitting light source	white light LED, 420 ... 750 nm
Notee, powered by	< 25 mm (WRB 120 P-SG-4.5-2.5), 10 ... 15 mm (VO-M12/10-4.5-2.5), 30 ... 60 mm (VO-M6/35-M6x30-2.5), 35 ... 60 mm (VO-M6/50-M6x30-2.5)
Fiber-optic connection	M18 x 1
Colour memory internal	1
Number of sensing channels	1
Colour channels of sensor	1 (Teachable via buttons)
Colour resolution	DE Lab < 1
Trigger input	TRG, 24 V DC
Keylock	Lock (+24 V DC)
Switching output	Push pull, 200 mA, NO (pnp) / NC (npn)
Pulse stretching	0 ms or 50 ms
Display	LED integrated in control button
Voltage drop	< 2,0 V
Response time/Scanning frequency	0,5ms / 2000 Hz
Ambient temperature, operation	-15 ... +55 °C
Tolerance ranges	5 Levels (3, 6, 9, 15, 30 ΔELab), automatic tolerance in multiteach mode

FSB 10 M G1-B8 Colour Sensor



TECHNICAL INFORMATION (typ.)	+20°C, 24V DC
Ambient light immunity	15 kLx
Ambient light compensation	dynamic
Protection class	IP 67
Colour space mode	L*a*b* (Non-self-shining objects)
Detection modes	Check sphere (Check whether the measured colour is within a defined tolerance)
Operating mode	- (Continuous) - (External triggering)
Casing material	Aluminium anodized