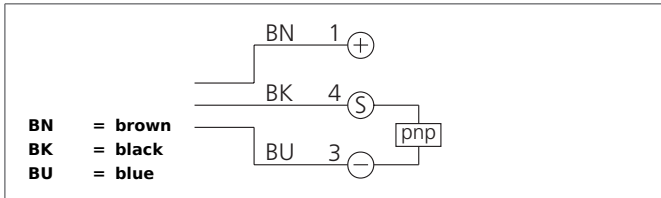


# DCC 30 VH 15 PSK/180

## Inductive Proximity Switch

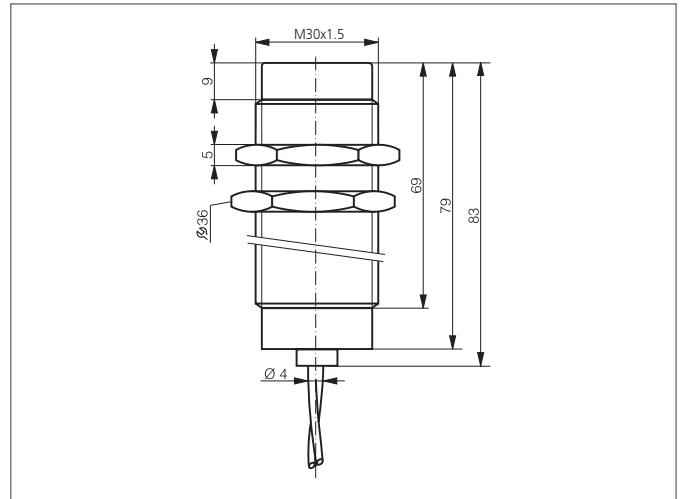
- High-temperature resistant up to 180 °C permanent temperature
- Stainless steel casing
- Active zone LCP
- Integrated amplifier
- Short-circuit protection
- Starting pulse suppression



### Safety instructions

The Instruments are not to be used for safety applications, in particular applications in which safety of persons depends on proper operation of the instruments.

These instruments shall exclusively be used by qualified personnel.



TECHNICAL INFORMATION (typ.)	+20°C, 24V DC
Operating principle	Inductive
Evaluation	digital
Size	M30 x 1,5 (thread)
Design	screw
Mounting	non-flush
Characteristics	up to 180 °C, high-temperature resistant
Operating distance	15 mm
Standardized measuring plate	45 x 45 x 1 mm
Service voltage	10 ... 30 V DC
No-load current	< 10 mA
Switching output	pnp, 150 mA, NO
Switching hysteresis	3 ... 15 %
Shock-/vibration load	10 ... 55 Hz / 1,0 mm / 30 g
Voltage drop	< 2,0 V
Switching frequency	200 Hz
Ambient temperature, operation	0 ... +180 °C
Insulation voltage endurance	500 V
Protection class	IP 65
Casing material	stainless steel LCP
Material	PTFE (Cable)
Connection	Cable, 2,0 m