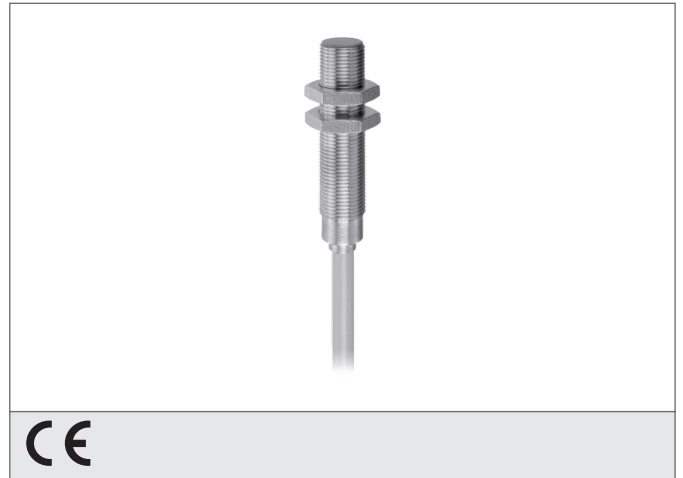


DCC 12 VH 03 NSK/150 Inductive Proximity Switch

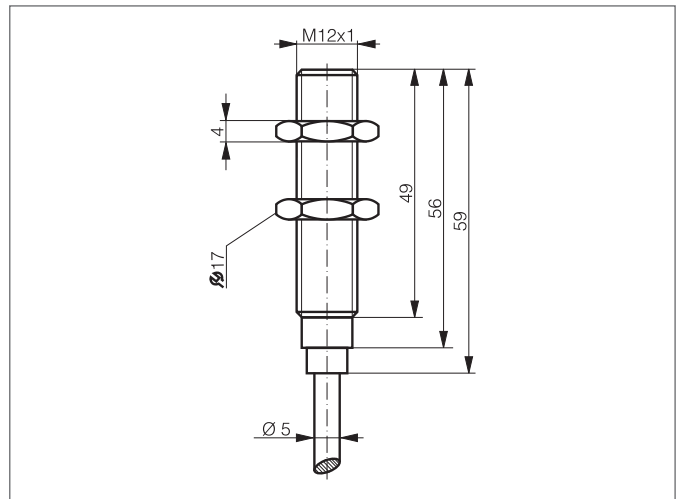
- High-temperature resistant up to 150 °C permanent temperature
- Stainless steel casing
- Active zone LCP
- Integrated amplifier
- Short-circuit protection
- Starting pulse suppression



Safety instructions

The Instruments are not to be used for safety applications, in particular applications in which safety of persons depends on proper operation of the instruments.

These instruments shall exclusively be used by qualified personnel.



TECHNICAL INFORMATION (typ.)	+20°C, 24V DC
Operating principle	Inductive
Evaluation	digital
Size	M12 x 1 (thread)
Design	screw
Mounting	flush
Characteristics	until 150 °C, high-temperature resistant
Operating distance	3 mm
Standardized measuring plate	12 x 12 x 1 mm
Service voltage	10 ... 30 V DC
No-load current	< 10 mA
Switching output	npn, 120 mA, NO
Switching hysteresis	3 ... 15 %
Shock-/vibration load	10 ... 55 Hz / 1,0 mm / 30 g
Voltage drop	< 2,0 V
Switching frequency	500 Hz
Ambient temperature, operation	0 ... +150 °C
Insulation voltage endurance	500 V
Protection class	IP 65
Casing material	stainless steel LCP
Material	Silicone (Cable)
Connection	Cable, 2,0 m