

DCC 12 VHD 2 PS-B3-127-2

Inductive Proximity Switch

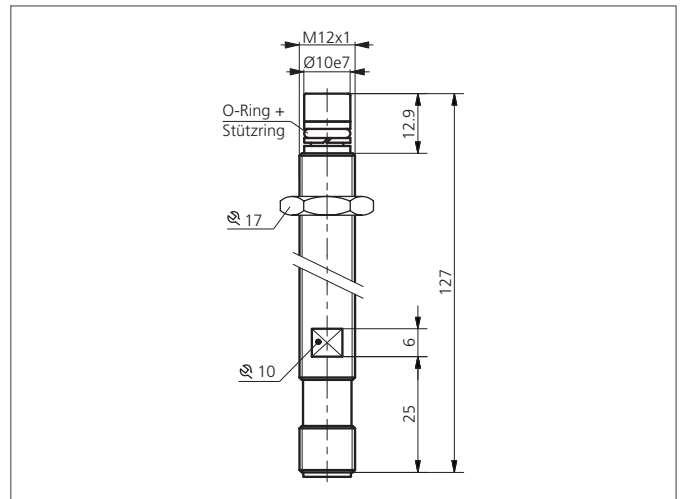
- High-pressure resistant version up to 500 bar
- High-temperature resistant up to 100 °C permanent temperature
- Housing and sensing face made of stainless steel
- Integrated amplifier
- Short-circuit protection
- Starting pulse suppression



Safety instructions

The Instruments are not to be used for safety applications, in particular applications in which safety of persons depends on proper operation of the instruments.

These instruments shall exclusively be used by qualified personnel.



| TECHNICAL INFORMATION (typ.) | +20°C, 24V DC |
|--------------------------------|---|
| Operating principle | Inductive |
| Evaluation | digital |
| Size | M12 x 1 (thread) |
| Design | screw |
| Mounting | flush |
| Characteristics | up to 500 bar, high-pressure resistant |
| Operating distance | 2 mm |
| Standardized measuring plate | 10 x 10 x 1 mm |
| Service voltage | 10 ... 30 V DC |
| No-load current | < 10 mA |
| Switching output | pnp, 200 mA, NO |
| Switching hysteresis | 15 % |
| Shock-/vibration load | 10 ... 55 Hz / 1,0 mm / 30 g |
| Voltage drop | < 2,4 V |
| Switching frequency | 400 Hz |
| Ambient temperature, operation | -25 ... +100 °C |
| Insulation voltage endurance | 500 V |
| Protection class | IP 68, IP 69K |
| Casing material | stainless steel V2A (1.4301 / AISI 304) |
| Connection | Connector, M12 |