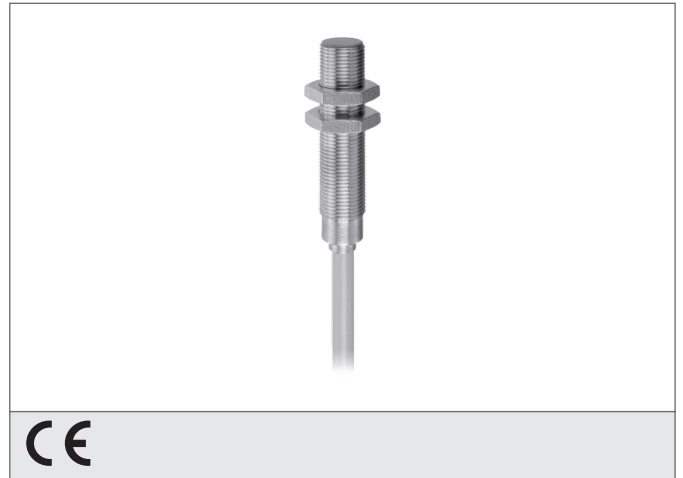


## DCC 12 VH 03 NSK/150 Inductive Proximity Switch

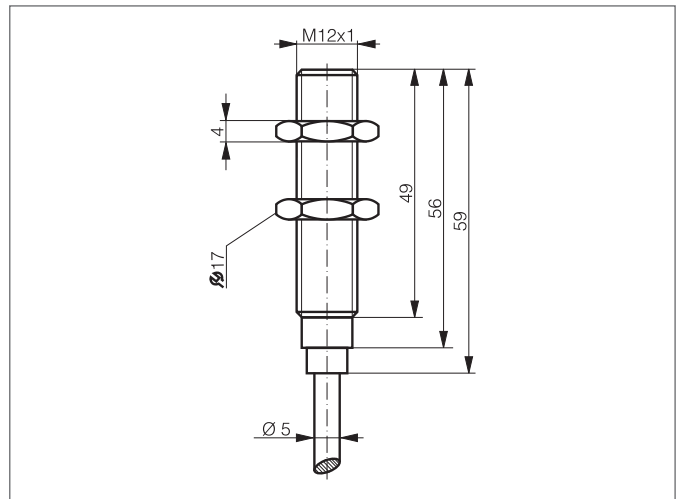
- High-temperature resistant up to 150 °C permanent temperature
- Stainless steel casing
- Active zone LCP
- Integrated amplifier
- Short-circuit protection
- Starting pulse suppression



### Safety instructions

The Instruments are not to be used for safety applications, in particular applications in which safety of persons depends on proper operation of the instruments.

These instruments shall exclusively be used by qualified personnel.



| TECHNICAL INFORMATION (typ.)   | +20°C, 24V DC                            |
|--------------------------------|--|
| Operating principle            | Inductive                                |
| Evaluation                     | digital                                  |
| Size                           | M12 x 1 (thread)                         |
| Design                         | screw                                    |
| Mounting                       | flush                                    |
| Characteristics                | until 150 °C, high-temperature resistant |
| Operating distance             | 3 mm                                     |
| Standardized measuring plate   | 12 x 12 x 1 mm                           |
| Service voltage                | 10 ... 30 V DC                           |
| No-load current                | < 10 mA                                  |
| Switching output               | npn, 120 mA, NO                          |
| Switching hysteresis           | 3 ... 15 %                               |
| Shock-/vibration load          | 10 ... 55 Hz / 1,0 mm / 30 g             |
| Voltage drop                   | < 2,0 V                                  |
| Switching frequency            | 500 Hz                                   |
| Ambient temperature, operation | 0 ... +150 °C                            |
| Insulation voltage endurance   | 500 V                                    |
| Protection class               | IP 65                                    |
| Casing material                | stainless steel LCP                      |
| Material                       | Silicone (Cable)                         |
| Connection                     | Cable, 2,0 m                             |